

**#8700 Series:**

Gauge .050

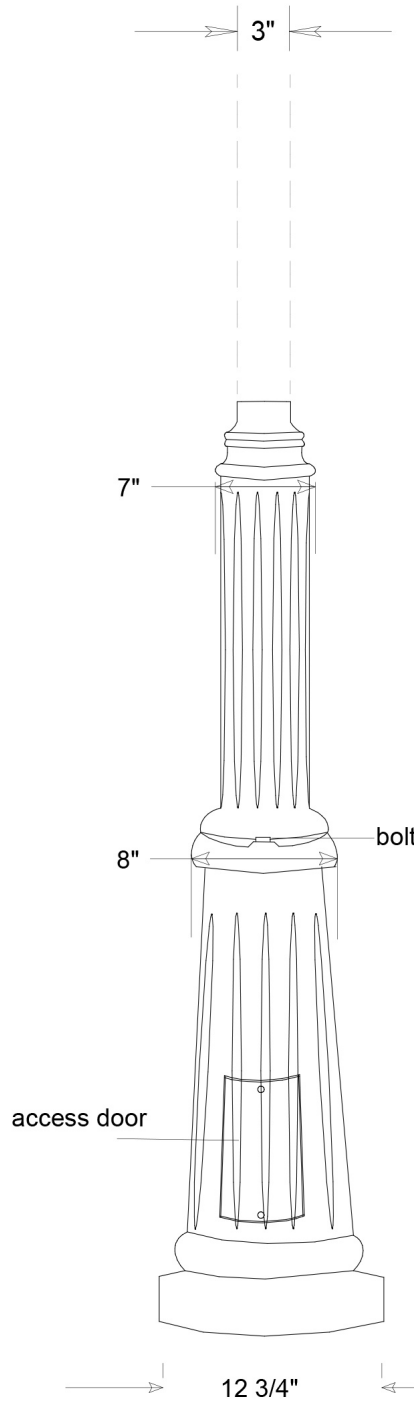
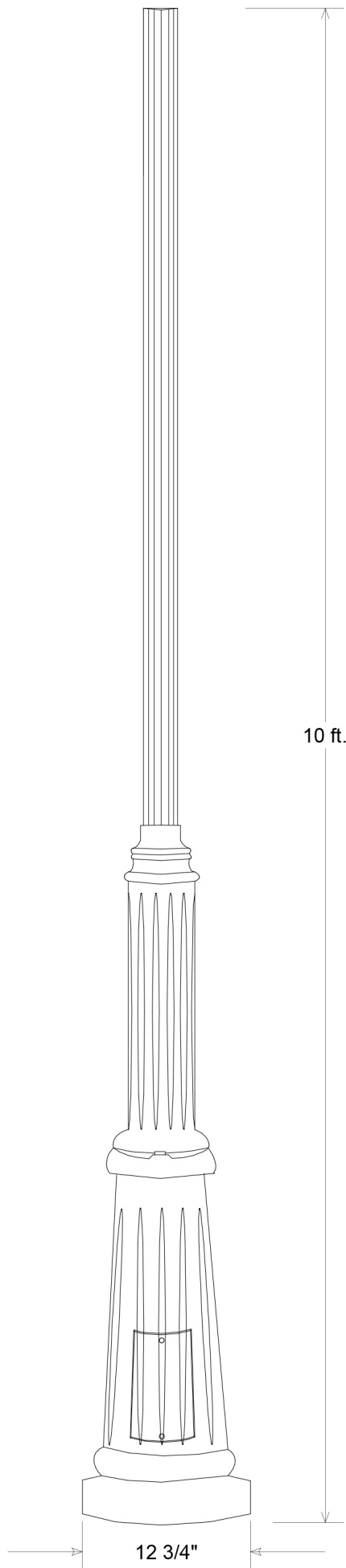
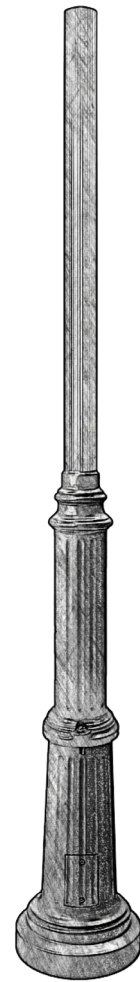
#8706 ( 6' ) ▲

#8707 ( 7' ) ▲

#8708 ( 8' ) ▲

#8710 (10') ▲

#8712 (12') ▲



**Post Base  
10" bolt circle**

slots for bolts

10"

12 3/4"

12 3/4"

	<b>Name</b>	<b>Date</b>
<b>Drawn</b>	lv	02/21/17
<b>Checked</b>		
<b>ENG Appr.</b>		
<b>MFR Appr.</b>		
<b>QA</b>		
<b>Comments</b>		
CAD Generated Drawing Do Not Manually Update		
<b>Construction: All Aluminum</b>		
10" bolt circle base		

**Primelite Mfg Corp**

516-868-4411

**#8710 Post**

**Cast Aluminum Base  
Extruded Aluminum Top | Fluted  
Height 10' | Top Gauge .050**

<b>Size</b>	<b>Drawing No.</b>	<b>Rev</b>
<b>A</b>	<b>0001</b>	<b>A</b>
<b>Scale</b>	<b>CAD File</b>	<b>Sheet</b>
		<b>1 of 1</b>