

#7700 Series:

Gauge .050

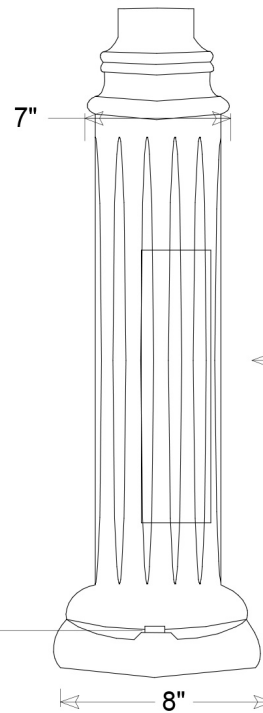
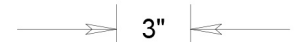
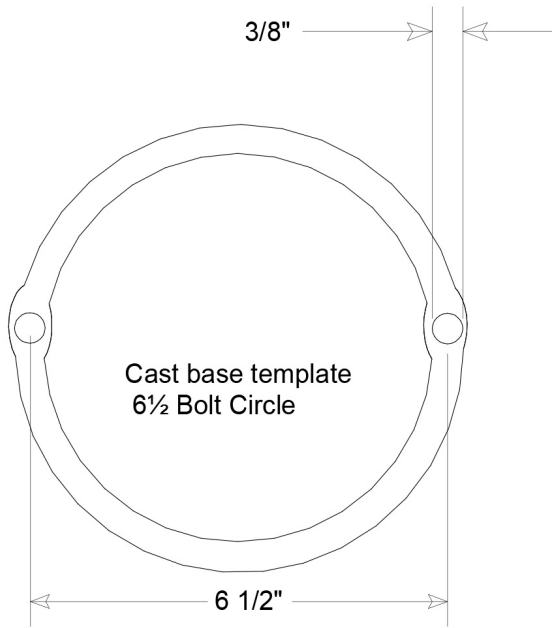
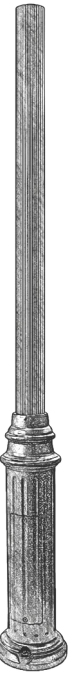
#7706 (6') ▲

#7707 (7') ▲

#7708 (8') ▲

#7710 (10') ▲

#7712 (12') ▲



Cast Aluminum Base

<p>Unless Otherwise Specified:</p> <p>Dimensions in Inches Tolerances: Fractional ± Angular: Mach ± Bend ± Two Place Decimal ± Three Place Decimal ±</p>		Name	Date	<p align="center">Primelite Mfg Corp</p> <p align="right">516-868-4411</p>		
	Drawn	iv	02/21/17			<p align="center">#7712 Post</p> <p align="center">Cast Aluminum Base</p> <p align="center">Extruded Aluminum Top Fluted</p> <p align="center">Height 12' Top Gauge .050</p>
	Checked					
	ENG Appr.					
	MFR Appr.					
QA				Size	Drawing No.	Rev
Construction: All Aluminum	<p>Comments</p> <p>CAD Generated Drawing Do Not Manually Update</p>			A	0001	A
6 1/2" bolt circle base				Scale	CAD File	Sheet