

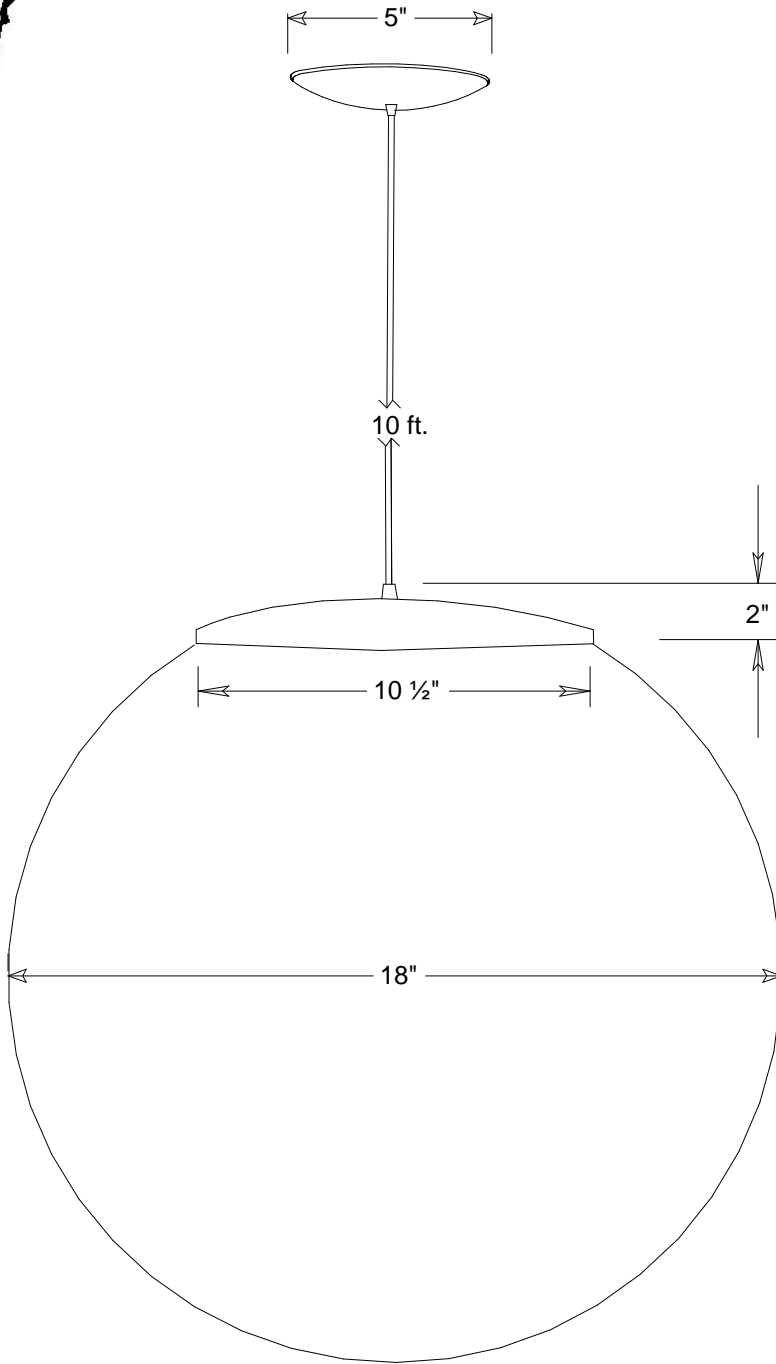


# Primelite Manufacturing Corp

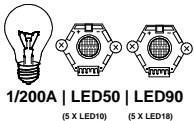
407 S Main St, Freeport, NY 11520

Phone: 516-868-4411 | Fax: 516-868-4609  
 sales@primelite-mfg.com | www.primelite-mfg.com

<b>PART #</b> <b>#478</b>	<b>LAMP</b> Incandescent   Led	<b>VOLTAGE</b> 120V	<b>COLOR</b> Powder Coated Colors
<b>JOB NAME</b>			<b>TYPE</b> Globe Pendant Polyethelene   Neckless



Lamp: Incandescent | LED



Construction: Aluminum  
Polyethelene

Unless Otherwise Specified:  
Dimensions in Inches

Name	Date
iv	10/10/18

## Globe Pendant #478

18" Dia Polyethelene Globe | 10' Vinyl Cord  
Neckless | White #478/3

Drawn	Checked	ENG Appr.	MFR Appr.	QA

Size	Drawing No.	Rev
<b>A</b>	<b>0001</b>	<b>A</b>

Colors	Scale	CAD File	Sheet
White #/3			<b>1 of 1</b>

Revisions				
Zone	Rev	Description	Date	Approved