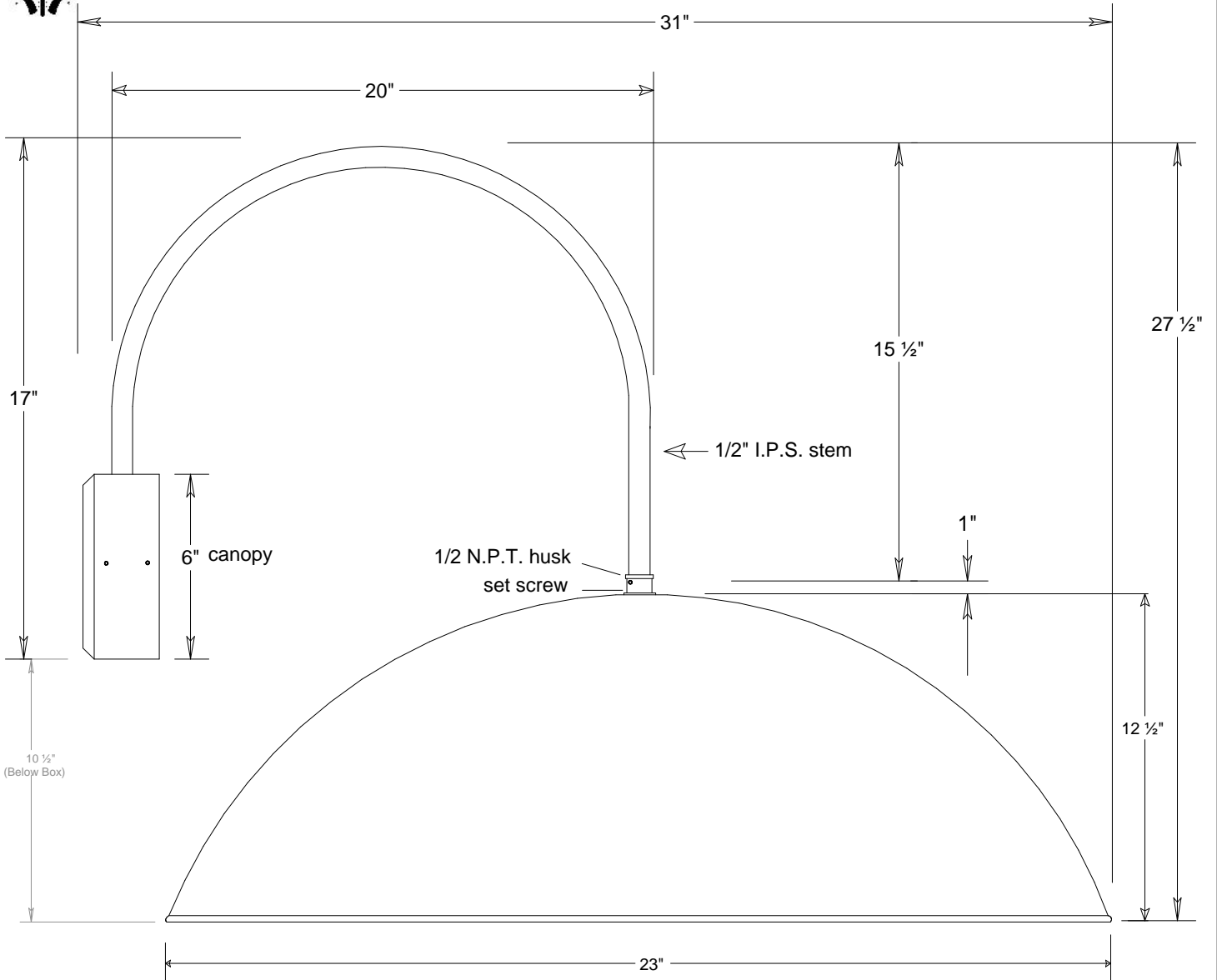




# Primelite Manufacturing Corp

407 S Main St, Freeport, NY 11520  
 Phone: 516-868-4411 | Fax: 516-868-4609  
 sales@primelite-mfg.com | www.primelite-mfg.com

PART #	LAMP	VOLTAGE	COLOR
JOB NAME			TYPE



<b>Unless Otherwise Specified:</b> Dimensions in Inches Tolerances: Fractional ± Angular: Mach ± Bend ± Two Place Decimal ± Three Place Decimal ±	Name	Date	<b>Gooseneck #39/23-866</b>			
	Drawn	lv				01/11/18
	Checked			23" Shade   20" Arm   10 1/2" Below Box		
	ENG Appr.			Size	Drawing No.	Rev
	MFR Appr.			<b>A</b>	<b>0001</b>	<b>A</b>
Construction: Aluminum	QA		Scale	CAD File	Sheet	
Lamp: Incandescent   LED 1/150A   LED22	Comments				<b>1 of 1</b>	

Revisions				
Zone	Rev	Description	Date	Approved