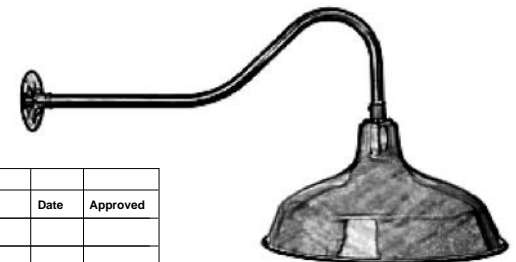
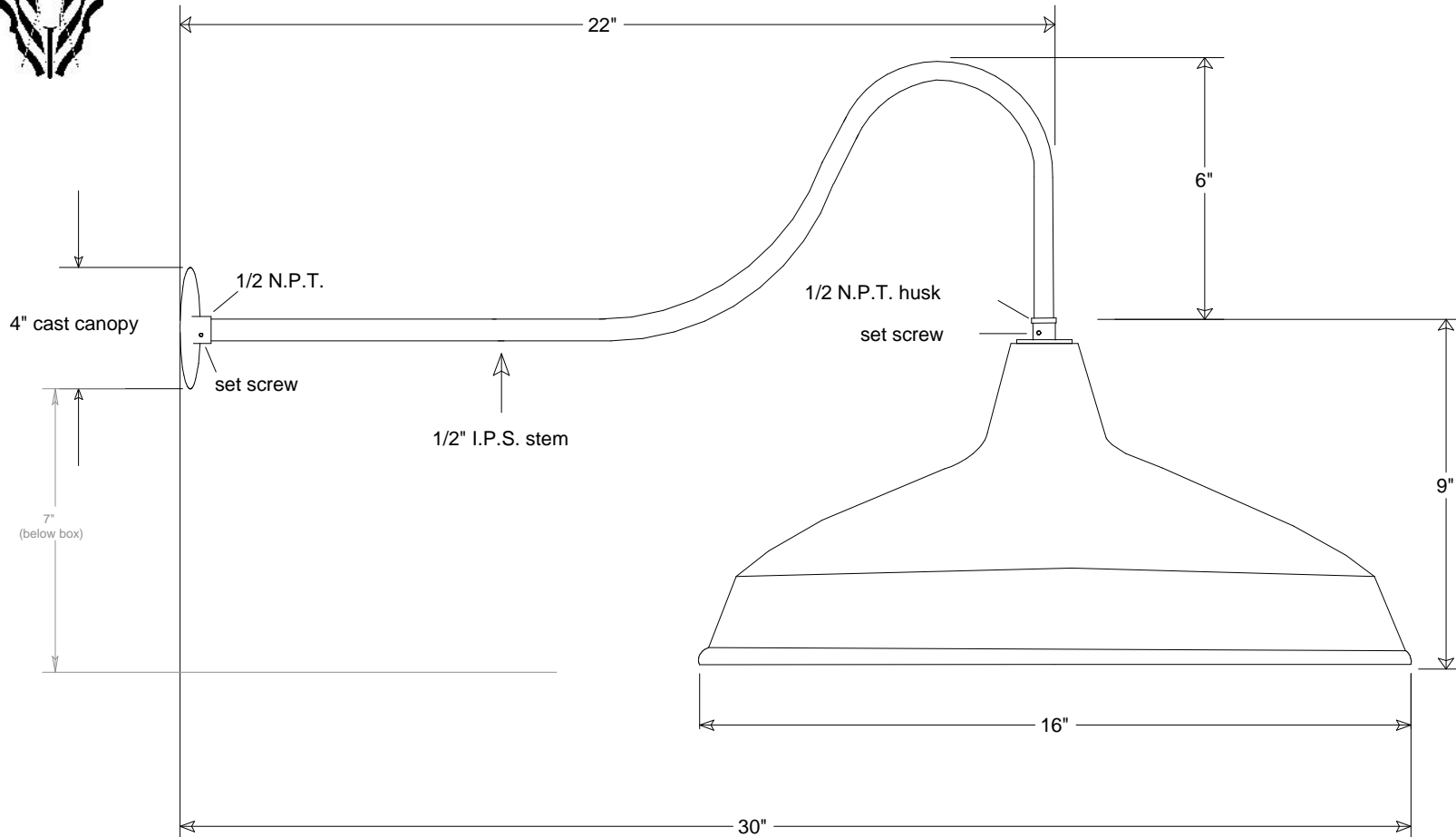




# Primelite Manufacturing Corp

407 S Main St, Freeport, NY 11520  
 Phone: 516-868-4411 | Fax: 516-868-4609  
 sales@primelite-mfg.com | www.primelite-mfg.com

PART #	LAMP	VOLTAGE	COLOR
JOB NAME			TYPE



<b>Unless Otherwise Specified:</b> Dimensions in Inches Tolerances: Fractional ± Angular: Mach ± Bend ± Two Place Decimal ± Three Place Decimal ±	Name	Date	<b>Gooseneck #23/16-850</b>				
	Drawn	lv				11/17/17	
	Checked			16" Shade   22" Arm			
	ENG Appr.						
Construction: Aluminum, acrylic	MFR Appr.		Size	Drawing No.	Rev		
Lamp: Incandescent   LED	QA		<b>A</b>	<b>0001</b>	<b>A</b>		
	Comments	CAD Generated Drawing Do Not Manually Update		Scale	CAD File	Sheet	<b>1 of 1</b>

Revisions				
Zone	Rev	Description	Date	Approved