

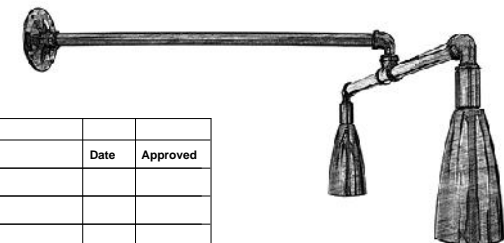
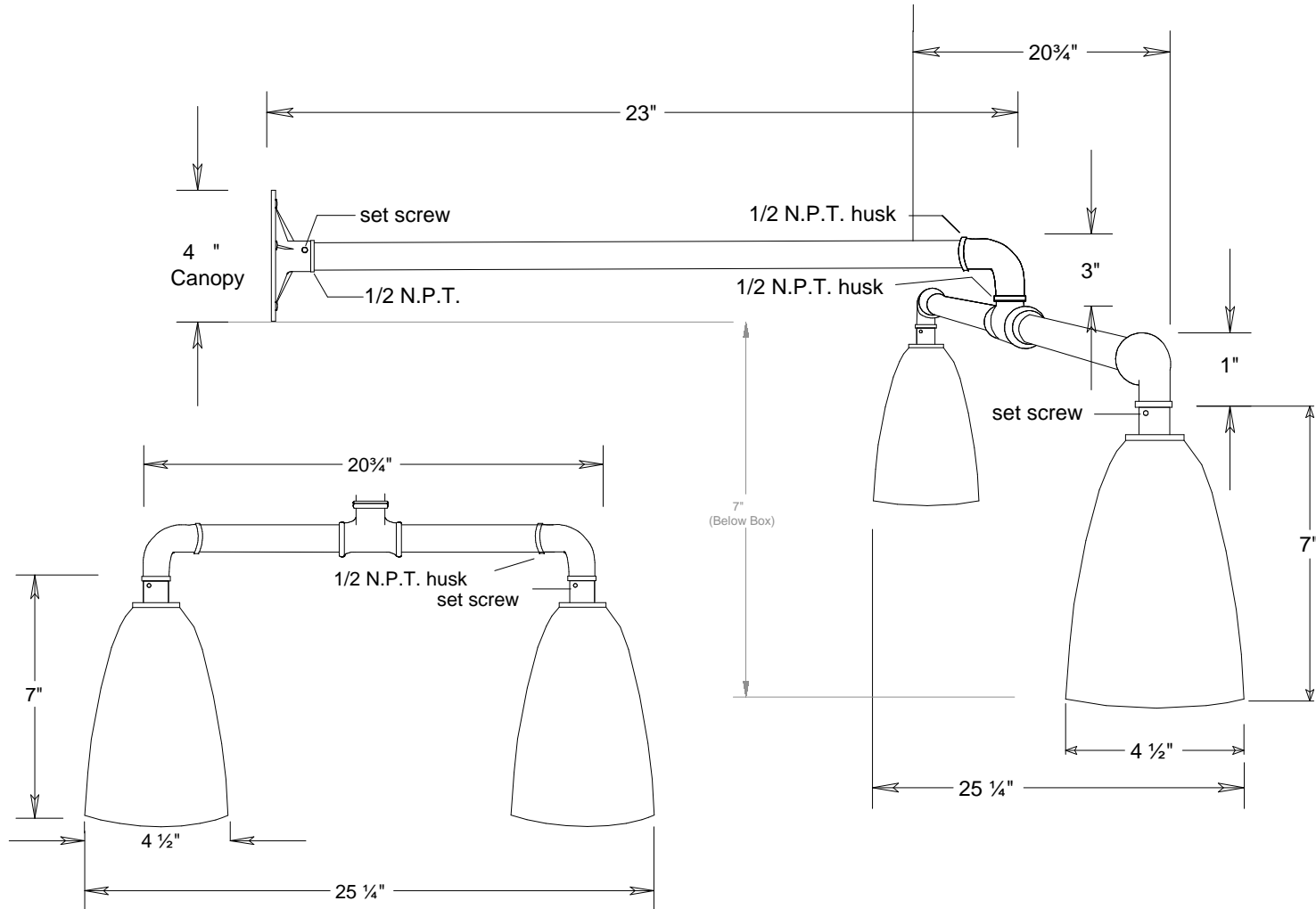


# Primelite Manufacturing Corp

407 S Main St, Freeport, NY 11520

Phone: 516-868-4411 | Fax: 516-868-4609  
 sales@primelite-mfg.com | www.primelite-mfg.com

PART #	LAMP	VOLTAGE	COLOR
JOB NAME			TYPE



**Unless Otherwise Specified:**

- Dimensions in Inches
- Tolerances: Fractional ±
- Angular: Mach ± Bend ±
- Two Place Decimal ±
- Three Place Decimal ±

	<b>Name</b>	<b>Date</b>	<b>Gooseneck #28/858</b>		
<b>Drawn</b>	lv	01/03/18			
<b>Checked</b>			2 x 4 1/2" Shades   23" Arm   20 3/4" Crossbar 7" Below Box		
<b>ENG Appr.</b>					
<b>MFR Appr.</b>			<b>Size</b>	<b>Drawing No.</b>	<b>Rev</b>
<b>QA</b>			<b>A</b>	<b>0001</b>	<b>A</b>
<b>Construction: Aluminum</b>	<b>Series Shade Sizes:</b> 3"   4 1/2"   5 3/4"		<b>Scale</b>	<b>CAD File</b>	<b>Sheet</b> <b>1 of 1</b>

Revisions				
Zone	Rev	Description	Date	Approved