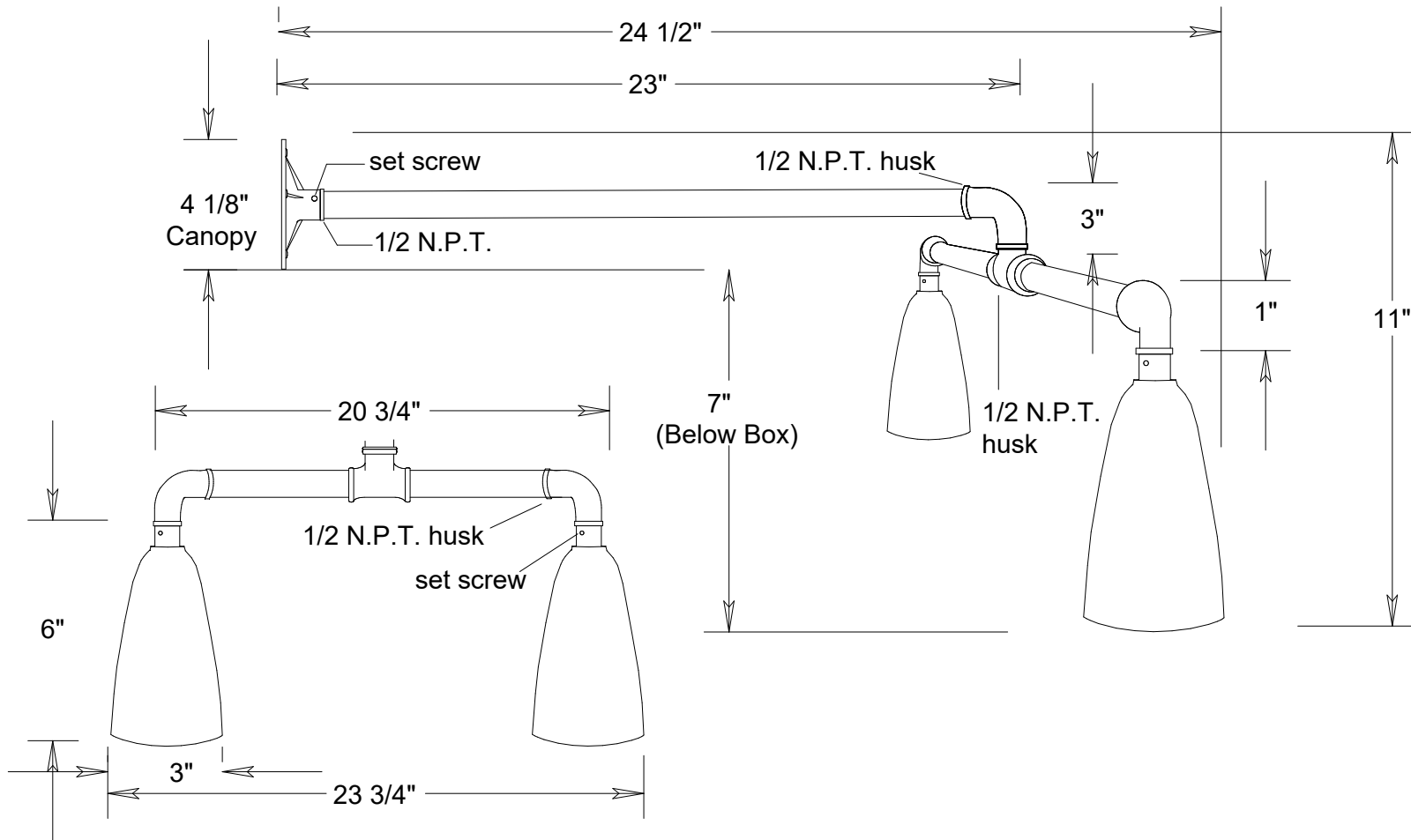



# Primelite Manufacturing Corp

407 S Main St, Freeport, NY 11520  
 Phone: 516-868-4411 | Fax: 516-868-4609  
 sales@primelite-mfg.com | www.primelite-mfg.com

<b>PART #</b> #18/858	<b>LAMP</b> Incandescent   LED	<b>VOLTAGE</b> 120 V	<b>COLOR</b> Powder Coated Paint
<b>JOB NAME</b>			<b>TYPE</b> Gooseneck



Lamp: Incandescent   LED  1/60A   LED12	<b>Name</b>	<b>Date</b>	<b>Gooseneck #18/858</b>			
	Drawn	CB				6/19
	Checked			3" Dia Shade   23" Arm 24 1/2" Ext   23 3/4" W   11" Ht		
	ENG Appr.					
MFR Appr.			Size	Drawing No.	Rev	
Construction: Aluminum	QA		<b>A</b>	<b>0001</b>	<b>A</b>	
Unless Otherwise Specified: Dimensions in Inches	Weight		Scale	CAD File	Sheet	
					<b>1 of 1</b>	

Revisions				
Zone	Rev	Description	Date	Approved