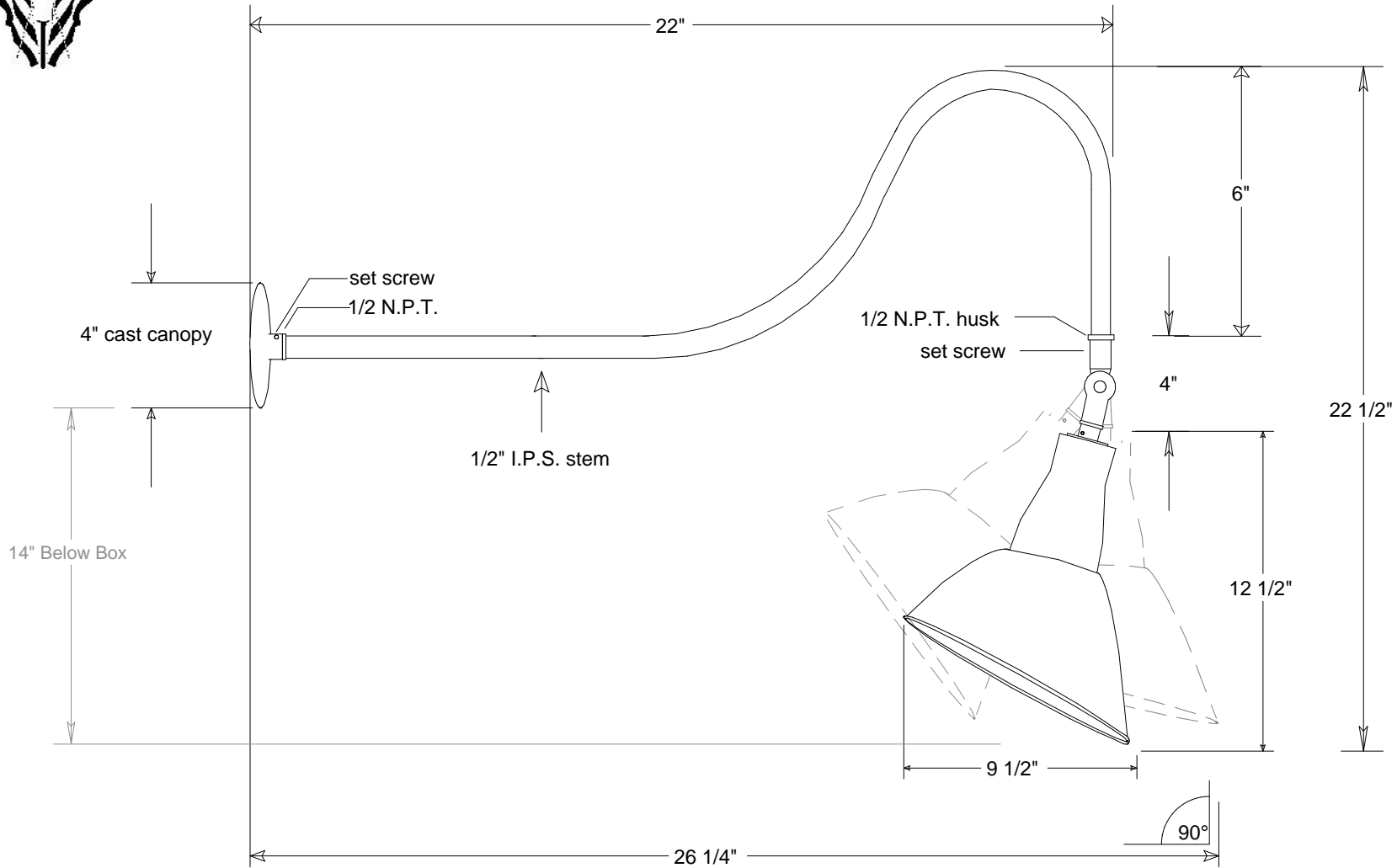




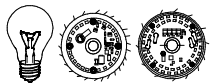
# Primelite Manufacturing Corp

407 S Main St, Freeport, NY 11520  
 Phone: 516-868-4411 | Fax: 516-868-4609  
 sales@primelite-mfg.com | www.primelite-mfg.com

<b>PART #</b> #20/850 ESW	<b>LAMP</b> Incandescent   LED	<b>VOLTAGE</b> 120V	<b>COLOR</b> Powder Coated Colors
<b>JOB NAME</b>			<b>TYPE</b> Gooseneck



Lamp: Incandescent | LED



1/100A | LED12 | LED22

Construction: Aluminum

Unless Otherwise Specified:  
Dimensions in Inches

	Name	Date
Drawn	lv	05/24/18
Checked		
ENG Appr.		
MFR Appr.		
QA		
Comments		

## Gooseneck #20/850 ESW

9 1/2" Shade | 22" Arm | 90° Angle  
14" Below Box

Size	Drawing No.	Rev
<b>A</b>	<b>0001</b>	<b>A</b>
Scale	CAD File	Sheet
		<b>1 of 1</b>

Revisions				
Zone	Rev	Description	Date	Approved

