

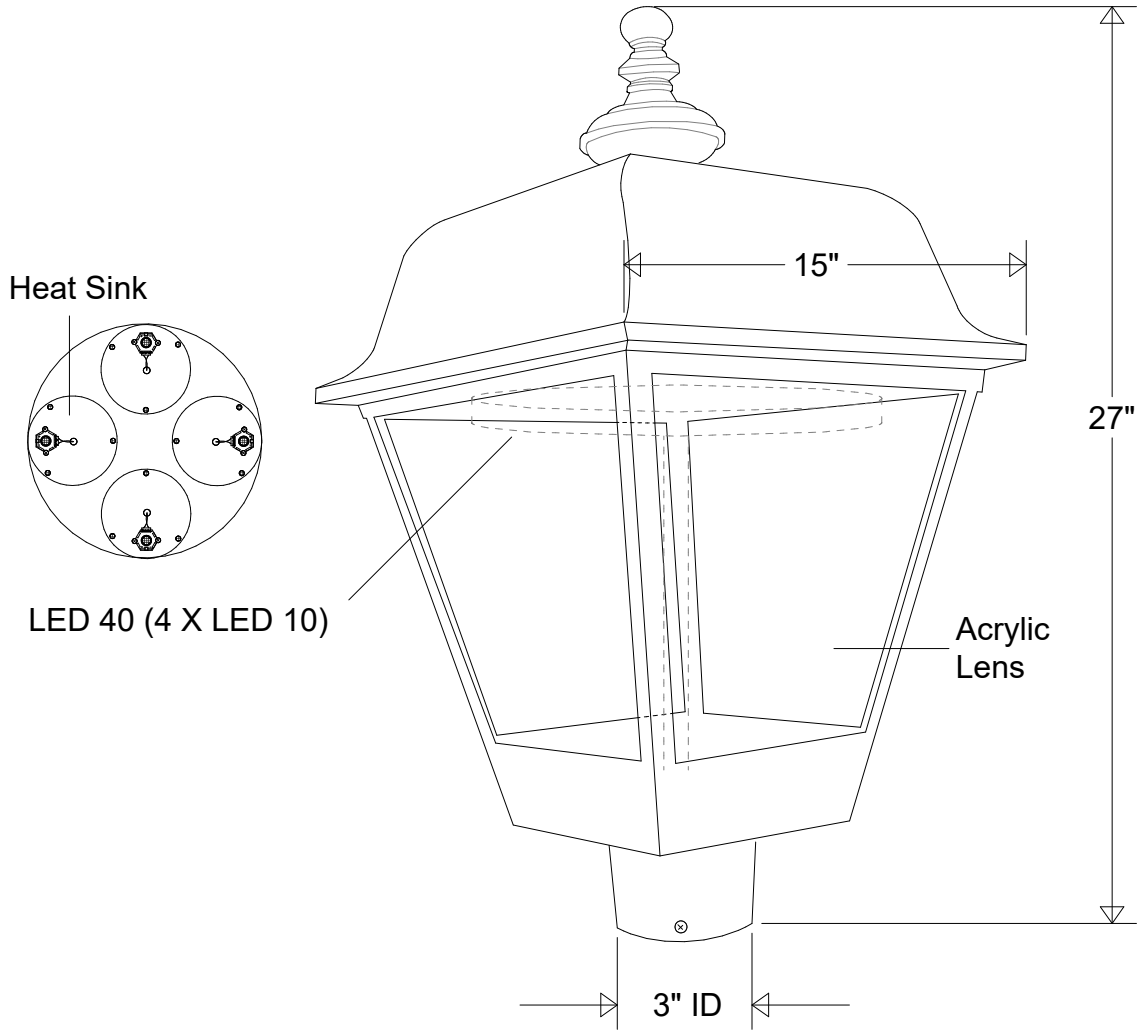


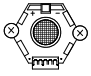
Primelite Manufacturing Corp

407 S Main St, Freeport, NY 11520

Phone: 516-868-4411 | Fax: 516-868-4609
 sales@primelite-mfg.com | www.primelite-mfg.com

PART # #1327	LAMP Incandescent LED	VOLTAGE 120 V	COLOR Powder Coated Paint
JOB NAME			TYPE Post Light



Lamp: Incandescent LED  LED 40 (4 X LED 10)	Name		Date	Post Light #1327 LED 40 15" W 27" H Acrylic Lens Smoke White Clear Frosted			Revisions				
	Drawn	CB	11/19				Zone	Rev	Description	Date	Approved
	Checked			Size	Drawing No.	Rev					
	ENG Appr.			A	0001	A					
MFR Appr.			Scale	CAD File	Sheet						
QA					1 of 1						
Construction: Aluminum Acrylic Unless Otherwise Specified: Dimensions in Inches	Weight										