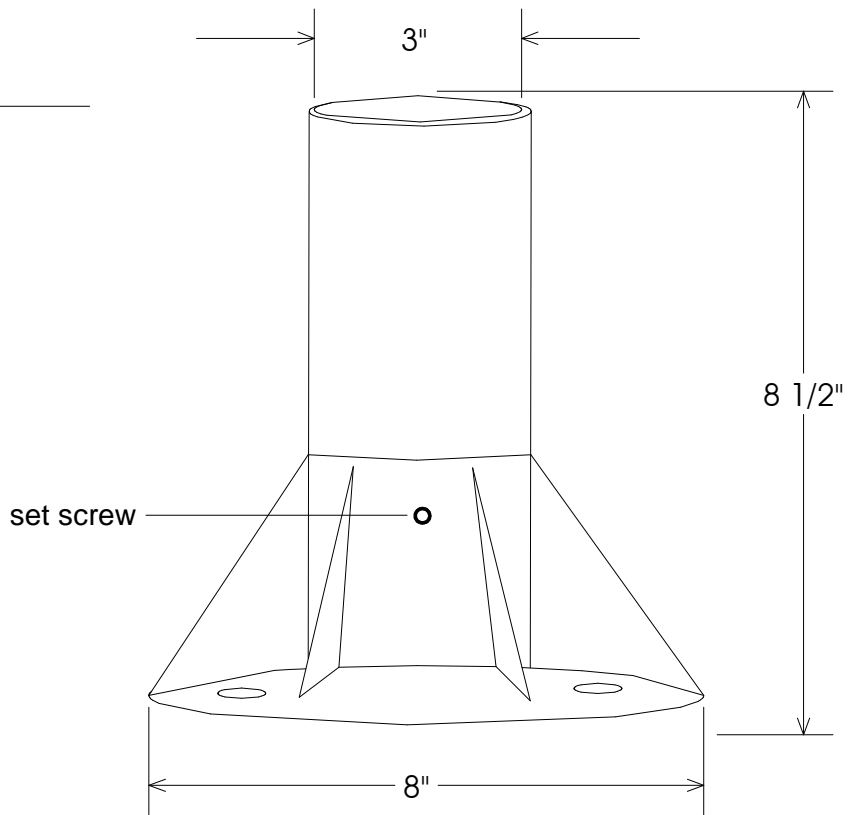
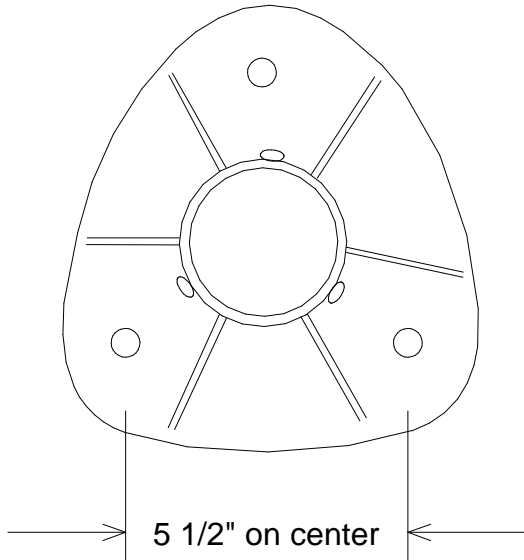


top view



<b>Unless Otherwise Specified:</b> Dimensions in Inches Tolerances: Fractional ± Angular: Mach ± Bend ± Two Place Decimal ± Three Place Decimal ±		<b>Name</b>	<b>Date</b>	<b>Primelite Mfg. Corp.</b>		
	<b>Drawn</b>	T.A.R.	12/01/11			
	<b>Checked</b>			<b>11 Shoe Base</b>		
	<b>ENG Appr.</b>					
	<b>MFR Appr.</b>					
<b>QA</b>						
<b>Construction: All Aluminum</b>	<b>Comments</b>			<b>Size</b>	<b>Drawing No.</b>	<b>Rev</b>
	CAD Generated Drawing Do Not Manually Update			<b>A</b>	<b>0001</b>	<b>A</b>
				<b>Scale</b>	<b>CAD File</b>	<b>Sheet</b>
						<b>1 of 1</b>