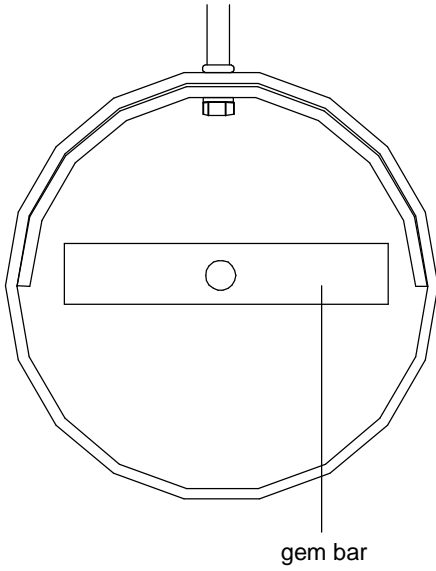
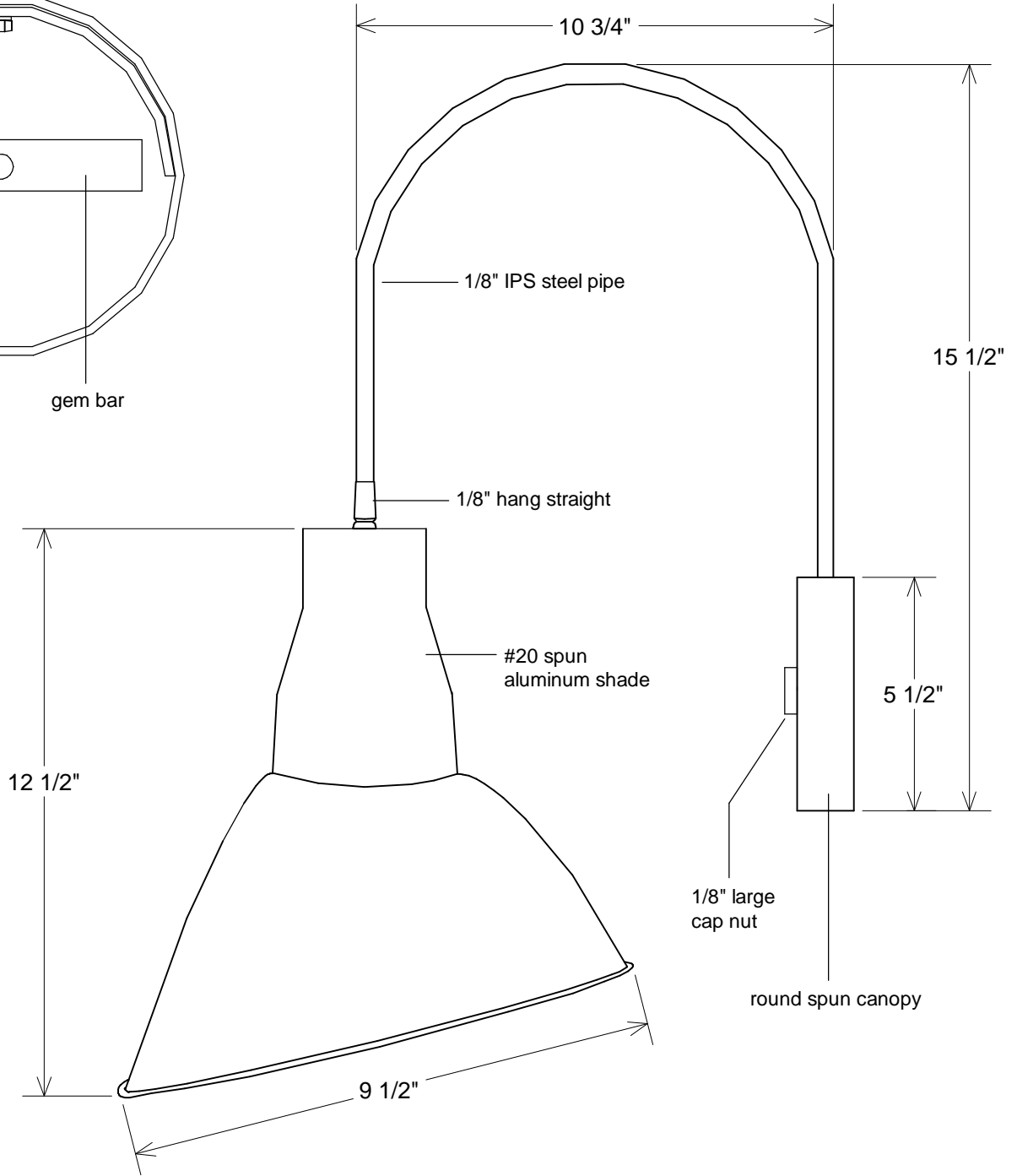


Back View



gem bar



Unless Otherwise Specified:

Dimensions in Inches
 Tolerances: Fractional ±
 Angular: Mach ± Bend ±
 Two Place Decimal ±
 Three Place Decimal ±

Construction: steel, brass,
 aluminum, porcelain

	Name	Date
Drawn	T.A.R.	07/22/11
Checked		02/07/14
ENG Appr.		
MFR Appr.		
QA		

Comments
 CAD Generated Drawing
 Do Not Manually Update

Primelite Mfg. Corp.

20/611

Size	Drawing No.	Rev
A	0001	A
Scale	CAD File	Sheet
1:3		1 of 1