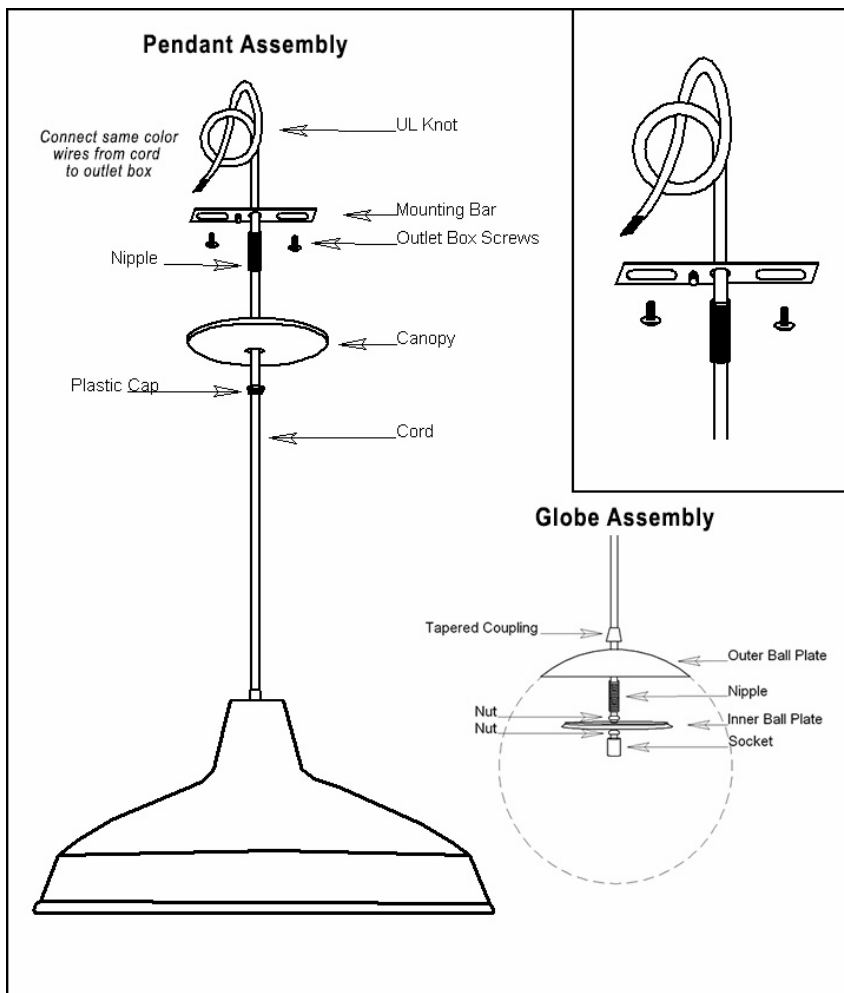


## Pendant / Globe Assembly Instructions



### General Instructions

You don't need special tools to install this fixture. Be sure to follow the steps in order. Under no circumstances should a fixture be hung on house electrical wires, nor should a swag type fixture be installed on a ceiling which contains radiant heating.

**NOTE: Proper wiring is essential for the safe operation of this fixture. Read the instructions carefully. If you are unclear how to proceed, consult a qualified electrician.**

### Warning!

Be sure the electricity to the wire you are working in is shut off! Turn off Circuit Breaker or REMOVE the Fuse!

### Installation

**IMPORTANT:**  
**DO NOT ATTACH FIXTURE DIRECTLY TO OUTLET BOX**

#### 1) For Factory Shade / Barn Light Fixtures:

- Remove tapered coupling from socket assembly.
- Slide shade down wire so that it rests on top of the lock washer on top of socket.
- Tighten shade to socket with tapered coupling and lock washer.

### Canopy Assembly

- Slide plastic cap, canopy nipple and mounting bar, in that order, onto cord.
- Screw nipple into mounting bar.
- Pull cord through mounting bar to desired length and knot cord.
- Secure mounting bar to outlet box with screws from outlet box (not supplied).
- Place the black wire from the fixture evenly against the black wire from the outlet box. Twist together the bare part of metal.
- Fit wire connector (not supplied) over twisted wire and screw the connector clockwise, until you feel that the connector is on firm.
- Try to gently pull the connector off the wires. If you can pull the connector off, carefully redo steps 6 and 7 above and check again for a firm connection.
- Connect the white wire from the fixture to the white wire from the outlet in the same manner.
- Grounding Instructions: Mounting bar is supplied with Green Ground Screw. Wrap ground wire from power supply (bare metal or green insulated wire) and fixture cord around green grounding screw. Fasten screw firmly to mounting bar.

**IMPORTANT:**  
**NEVER CONNECT GROUND WIRE TO BLACK OR WHITE POWER SUPPLY WIRES!**

- Secure Canopy to mounting nipple with plastic cap nut.
- Install lamp in socket.

### Neckless Globes

For fixtures with Neckless Globe: Unscrew tapered coupling from cover to release cover. Place Inside Ball Plate into globe. Seat Inside Ball Plate in position, drop cover, and secure with plastic cap.