

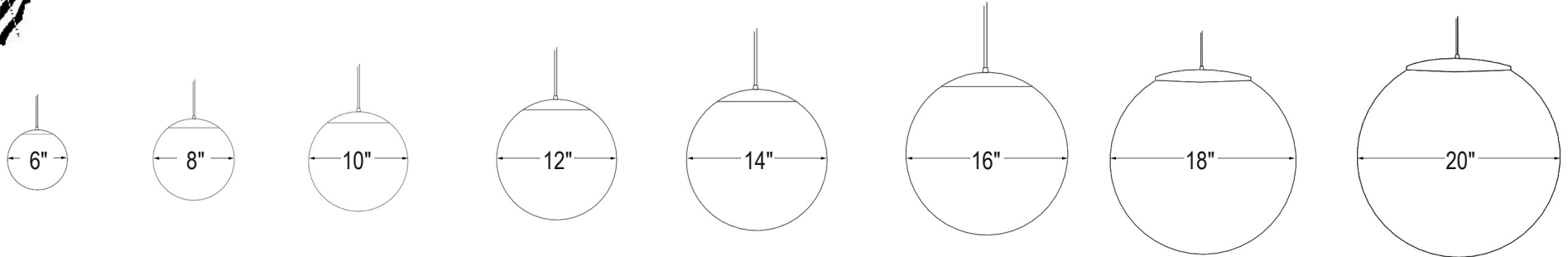


# Primelite Manufacturing Corp

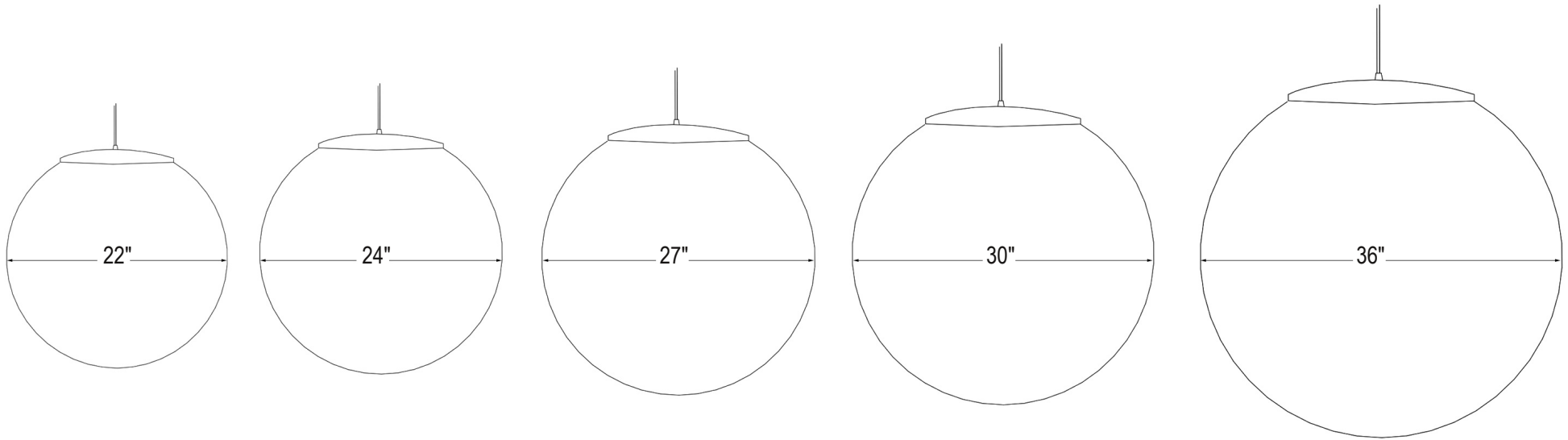
407 S Main St, Freeport, NY 11520

Phone: 516-868-4411 | Fax: 516-868-4609  
 sales@primelite-mfg.com | www.primelite-mfg.com

<b>PART #</b> Acrylic Globe Series (Neckless)	<b>LAMP</b> Incandescent   Led	<b>VOLTAGE</b> 120V	<b>COLOR</b> Powder Coated Colors
<b>JOB NAME</b>			<b>TYPE</b> Globe Pendant Acrylic   Neckless



#276 ▲ #278 ▲ #280 ▲ #282 ▲ #284 ▲ #286 ▲ #288 ▲ #290 ▲



#292 ▲ #294 ▲ #297 ▲ #300 ▲ #306 ▲

<b>Lamp: Incandescent   LED</b>  	<b>Name</b>	<b>Date</b>	<b>Acrylic Globe Pendant Series</b>  6"-36" Dia Acrylic Globes (#276-#306) Smoke #/1   White #/3N   Clear #/4			
	<b>Drawn</b>	Iv				10/11/18
	<b>Checked</b>					
	<b>ENG Appr.</b>			<b>Size</b>	<b>Drawing No.</b>	<b>Rev</b>
	<b>MFR Appr.</b>			<b>A</b>	<b>0001</b>	<b>A</b>
<b>QA</b>			<b>Scale</b>	<b>CAD File</b>	<b>Sheet</b>	
<b>Unless Otherwise Specified:</b> Dimensions in Inches	Smoke #/1N   White #/3N Clear #/4N				<b>1 of 1</b>	

▲ Symbol indicates link to technical drawing

Revisions				
Zone	Rev	Description	Date	Approved