



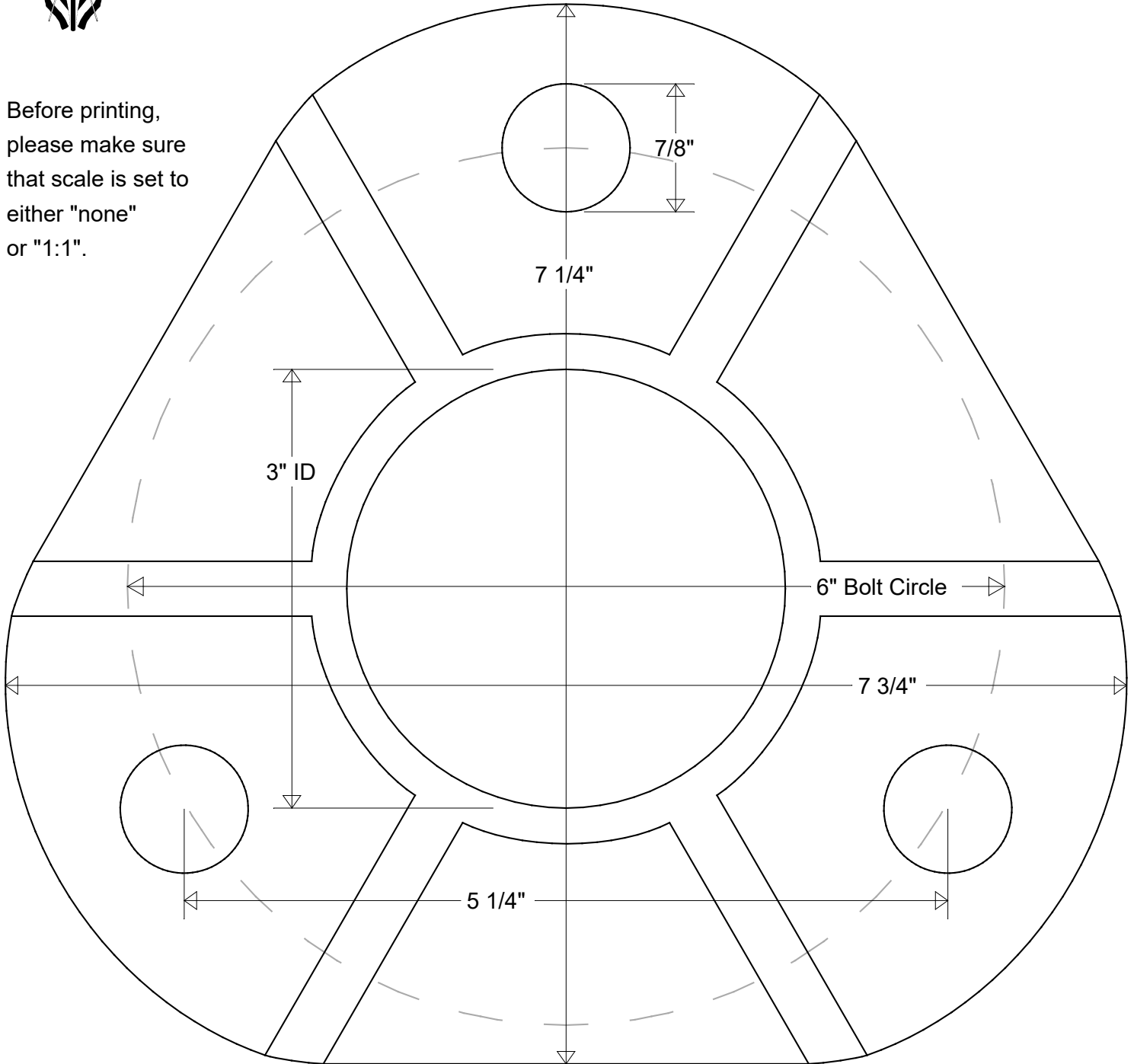
Primelite Manufacturing Corp

407 S Main St, Freeport, NY 11520

Phone: 516-868-4411 | Fax: 516-868-4609
 sales@primelite-mfg.com | www.primelite-mfg.com

PART # #6100SB Series	LAMP N/A	VOLTAGE N/A	COLOR Powder Coated Paint
JOB NAME			TYPE Shoe Base Template

Before printing,
 please make sure
 that scale is set to
 either "none"
 or "1:1".



Lamp: N/A	Initials	Date	#6100SB Series Shoe Base			<table border="1"> <thead> <tr> <th colspan="5">Revisions</th> </tr> <tr> <th>Zone</th> <th>Rev</th> <th>Description</th> <th>Date</th> <th>Appr</th> </tr> </thead> <tbody> <tr><td> </td><td> </td><td> </td><td> </td><td> </td></tr> <tr><td> </td><td> </td><td> </td><td> </td><td> </td></tr> <tr><td> </td><td> </td><td> </td><td> </td><td> </td></tr> <tr><td> </td><td> </td><td> </td><td> </td><td> </td></tr> </tbody> </table>					Revisions					Zone	Rev	Description	Date	Appr																				
	Revisions																																							
	Zone	Rev	Description	Date	Appr																																			
Drawn	CB	03/2022	7 3/4" W 7 1/4" H 6" Bolt Circle																																					
Checked			7/8" Bolts x3 5 1/4" Center to Center																																					
ENG Appr.			Size	Drawing No.	Rev																																			
Construction: Aluminum	MFR Appr.		A	0001	A																																			
QA																																								
Unless Otherwise Specified: Dimensions in Inches	Weight:		Scale	CAD File	Sheet	1" = 1"		1 of 1																																