

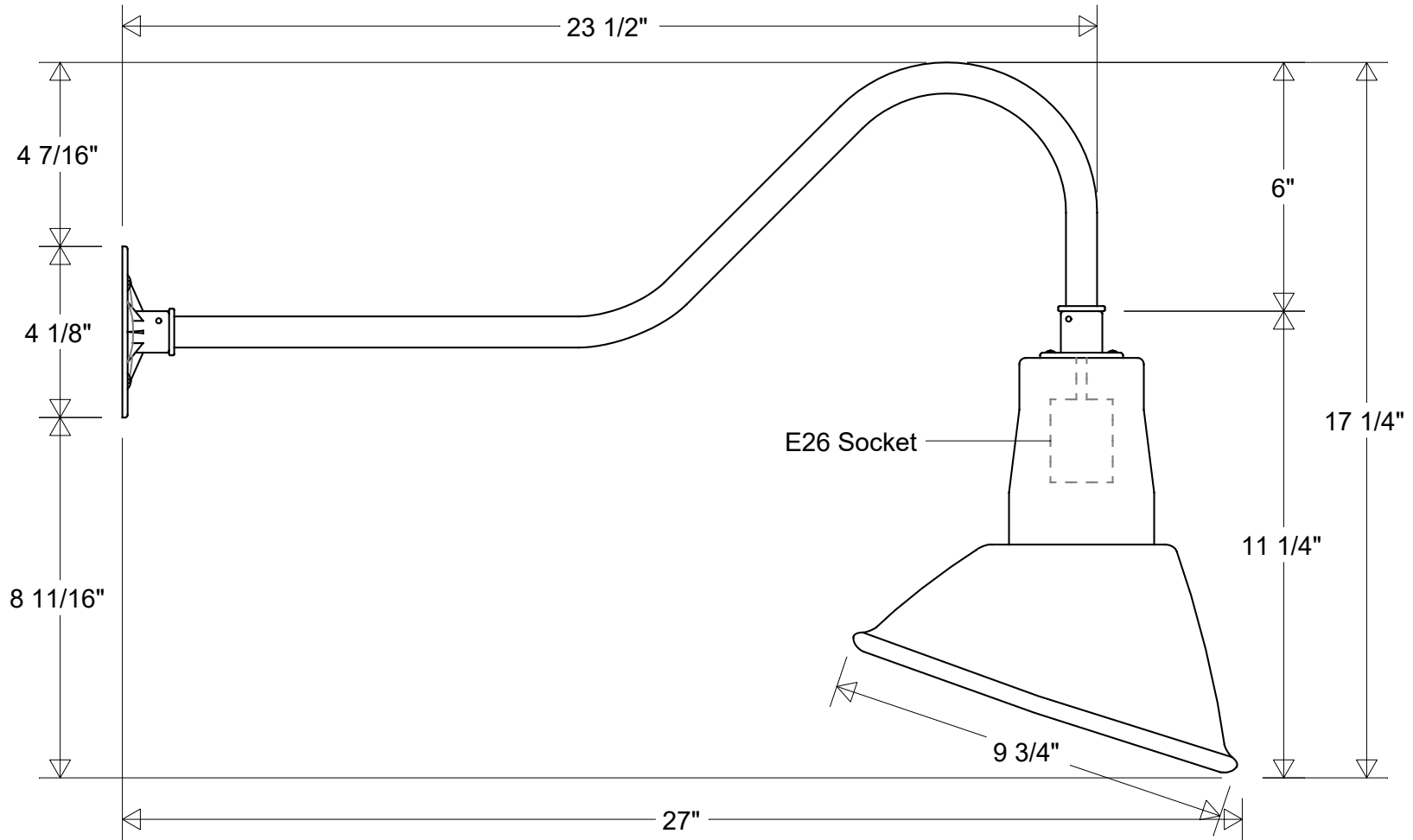



Primelite Manufacturing Corp

407 S Main St, Freeport, NY 11520

Phone: 516-868-4411 | Fax: 516-868-4609
 sales@primelite-mfg.com | www.primelite-mfg.com

PART # #20/850	LAMP E26 Socket	VOLTAGE 120 V	COLOR Powder Coated Paint
JOB NAME			TYPE Gooseneck



Lamp: E26 Socket Max Wattage: 200 W 	Initials	Date	#20/850						
	Drawn	CB						09/2023	
	Checked			9 3/4" Dia 27" Ext 17 1/4" H		Revisions			
ENG Appr.			6" Drop 8 11/16" Below Box		Zone	Rev	Description	Date	Appr
Construction: Aluminum	MFR Appr.		Size	Drawing No.	Rev				
	QA		A	0001	A				
Unless Otherwise Specified: Dimensions in Inches	Weight:		Scale	CAD File	Sheet				
					1 of 1				

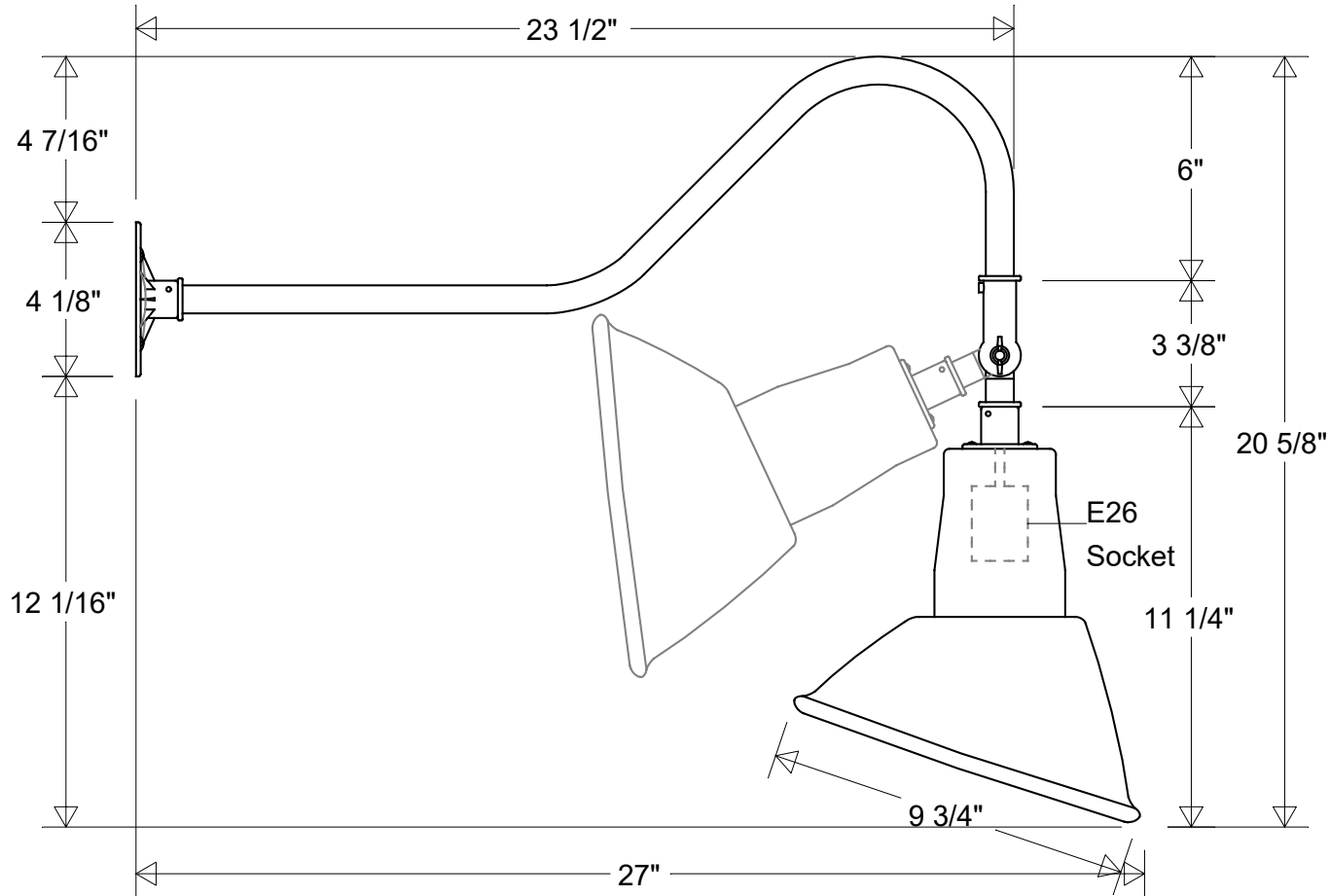



Primelite Manufacturing Corp

407 S Main St, Freeport, NY 11520

Phone: 516-868-4411 | Fax: 516-868-4609
 sales@primelite-mfg.com | www.primelite-mfg.com

PART # #20/850 ESW	LAMP E26 Socket	VOLTAGE 120 V	COLOR Powder Coated Paint
JOB NAME			TYPE Gooseneck



Lamp: E26 Socket Max Wattage: 200 W 	Initials	Date	<h2>#20/850 ESW</h2>							
	Drawn	CB						09/2023		
	Checked			9 3/4" Dia 27" Ext 20 5/8" H Adjustable Angle Swivel		Revisions				
Construction: Aluminum	MFR Appr.		Size	Drawing No.	Rev	Zone	Rev	Description	Date	Appr
Unless Otherwise Specified: Dimensions in Inches	Weight:		A	0001	A					
			Scale	CAD File	Sheet					1 of 1

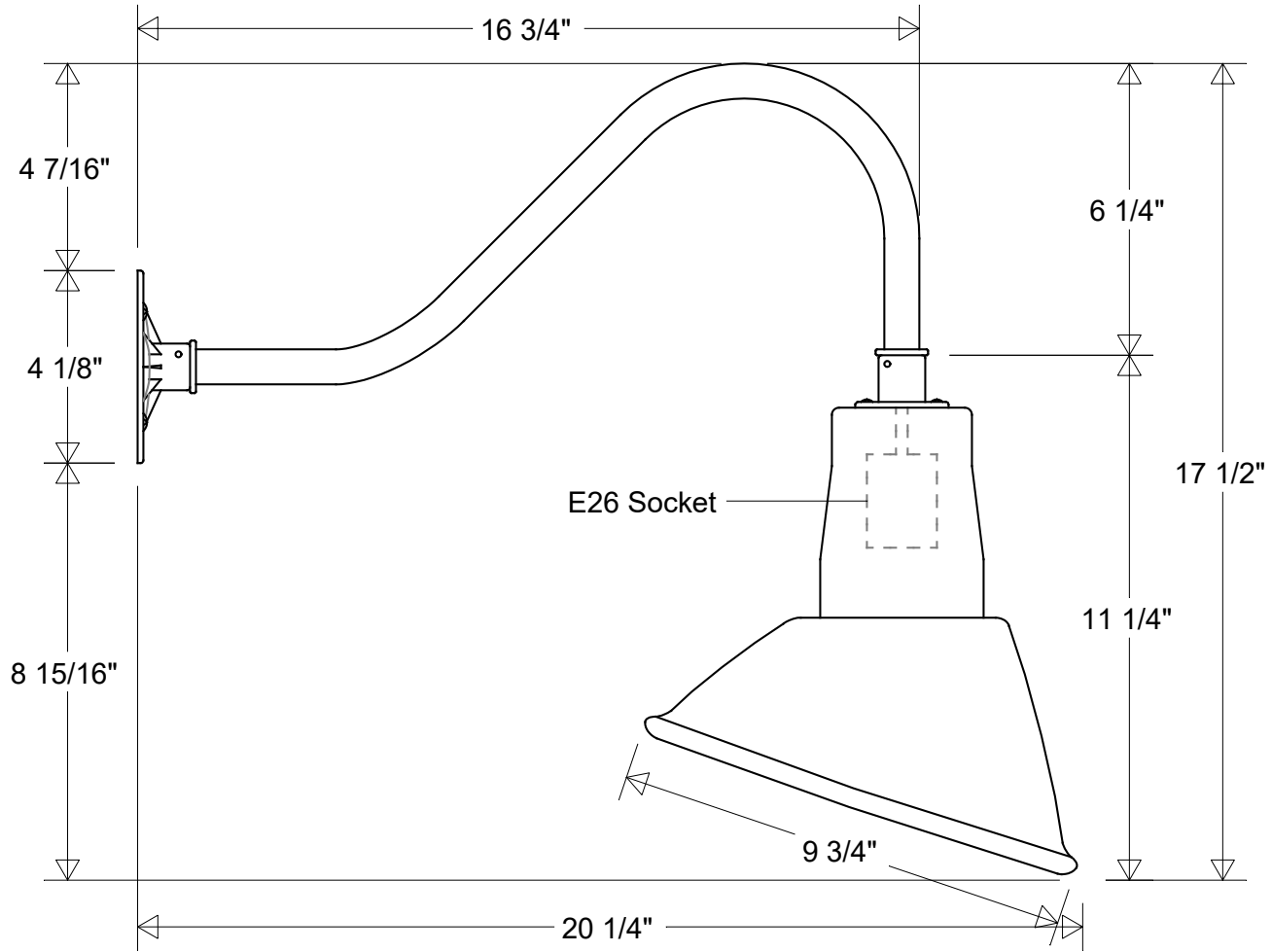


Primelite Manufacturing Corp

407 S Main St, Freeport, NY 11520

Phone: 516-868-4411 | Fax: 516-868-4609
 sales@primelite-mfg.com | www.primelite-mfg.com

PART # #20/859	LAMP E26 Socket	VOLTAGE 120 V	COLOR Powder Coated Paint
JOB NAME			TYPE Gooseneck



Lamp: E26 Socket
Max Wattage: 200 W



	Initials	Date	#20/859
Drawn	CB	09/2023	
Checked			9 3/4" Dia 20 1/4" Ext 17 1/2" H 6 1/4" Drop 8 15/16" Below Box
ENG Appr.			
Construction: Aluminum	MFR Appr.		Size A
	QA		Drawing No. 0001
Unless Otherwise Specified: Dimensions in Inches	Weight:		Rev A
		Scale	CAD File
			Sheet 1 of 1

Revisions				
Zone	Rev	Description	Date	Appr

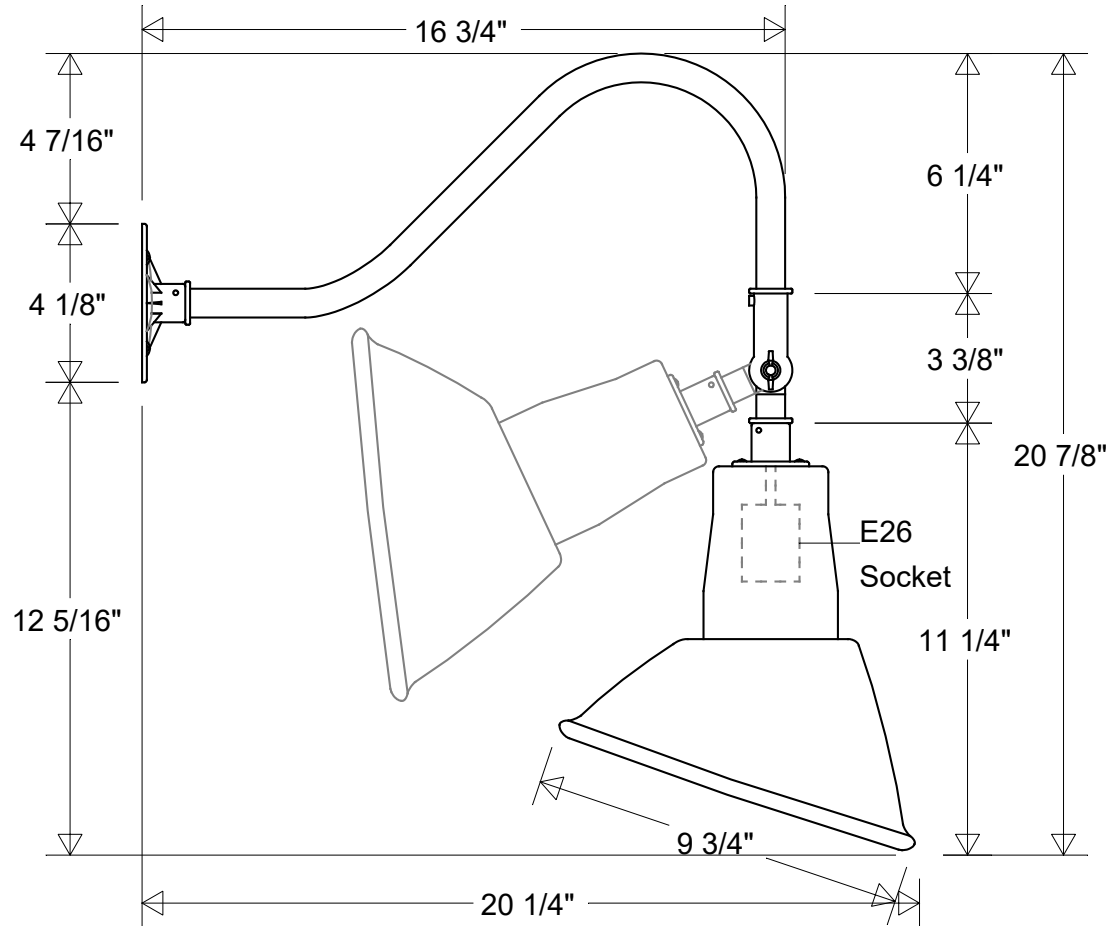



Primelite Manufacturing Corp

407 S Main St, Freeport, NY 11520

Phone: 516-868-4411 | Fax: 516-868-4609
 sales@primelite-mfg.com | www.primelite-mfg.com

PART # #20/859 ESW	LAMP E26 Socket	VOLTAGE 120 V	COLOR Powder Coated Paint
JOB NAME			TYPE Gooseneck



Lamp: E26 Socket Max Wattage: 200 W 	Initials	Date	#20/859 ESW		Revisions Zone Rev Description Date Appr					
	Drawn	CB								09/2023
	Checked			9 3/4" Dia 20 1/4" Ext 20 7/8" H Adjustable Angle Swivel						
Construction: Aluminum	MFR Appr.		Size	Drawing No.	Rev					
	QA		A	0001	A					
Unless Otherwise Specified: Dimensions in Inches	Weight:		Scale	CAD File	Sheet	1 of 1				

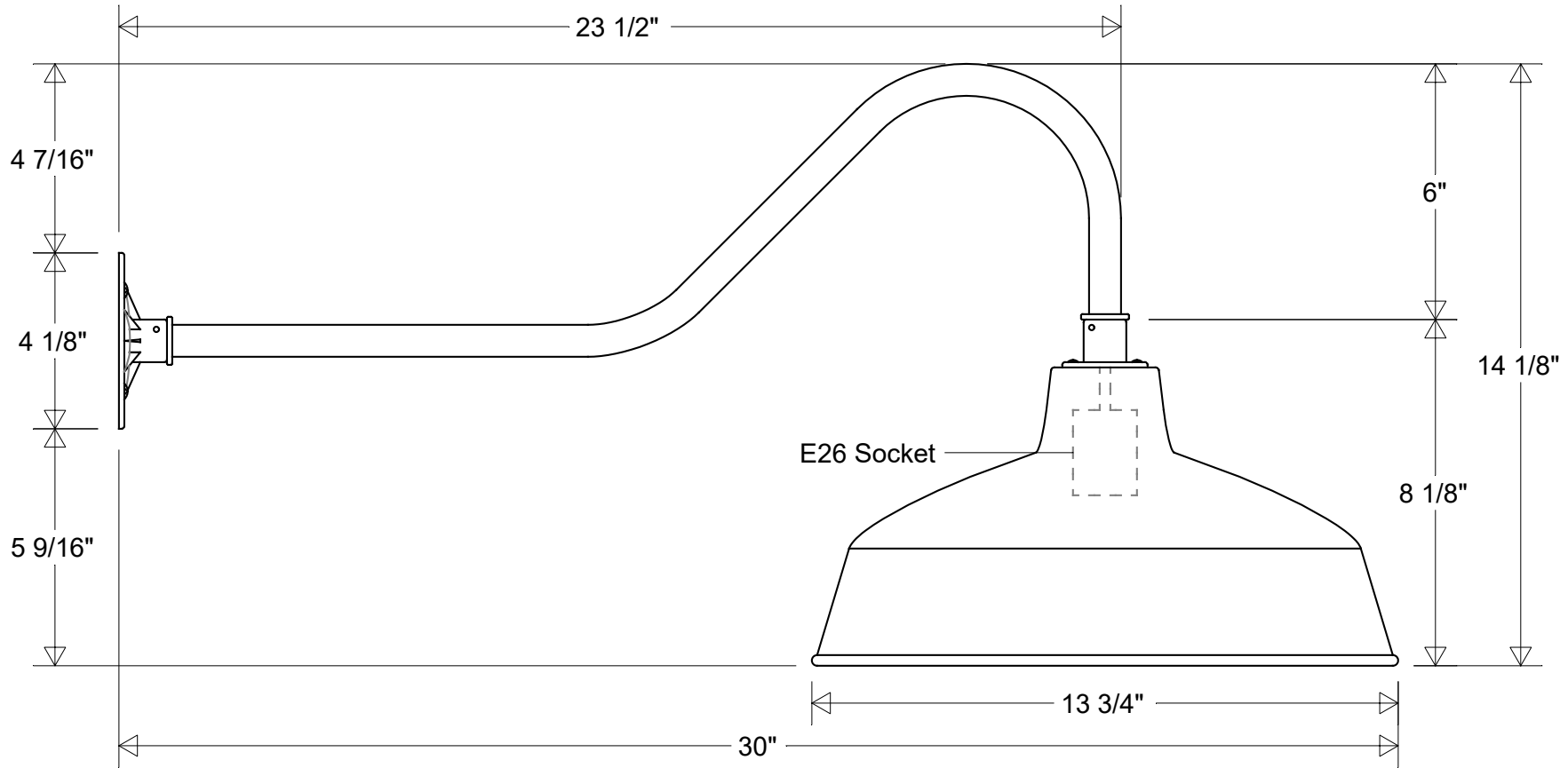



Primelite Manufacturing Corp

407 S Main St, Freeport, NY 11520

Phone: 516-868-4411 | Fax: 516-868-4609
 sales@primelite-mfg.com | www.primelite-mfg.com

PART # #23/14-850	LAMP E26 Socket	VOLTAGE 120 V	COLOR Powder Coated Paint
JOB NAME			TYPE Gooseneck



Lamp: E26 Socket Max Wattage: 150 W 	Initials	Date	#23/14-850						
	Drawn	CB						09/2023	
	Checked			13 3/4" Dia 30" Ext 14 1/8" H		Revisions			
ENG Appr.			6" Drop 5 9/16" Below Box		Zone	Rev	Description	Date	Appr
Construction: Aluminum	MFR Appr.		Size	Drawing No.	Rev				
	QA		A	0001	A				
Unless Otherwise Specified: Dimensions in Inches	Weight:		Scale	CAD File	Sheet				
					1 of 1				

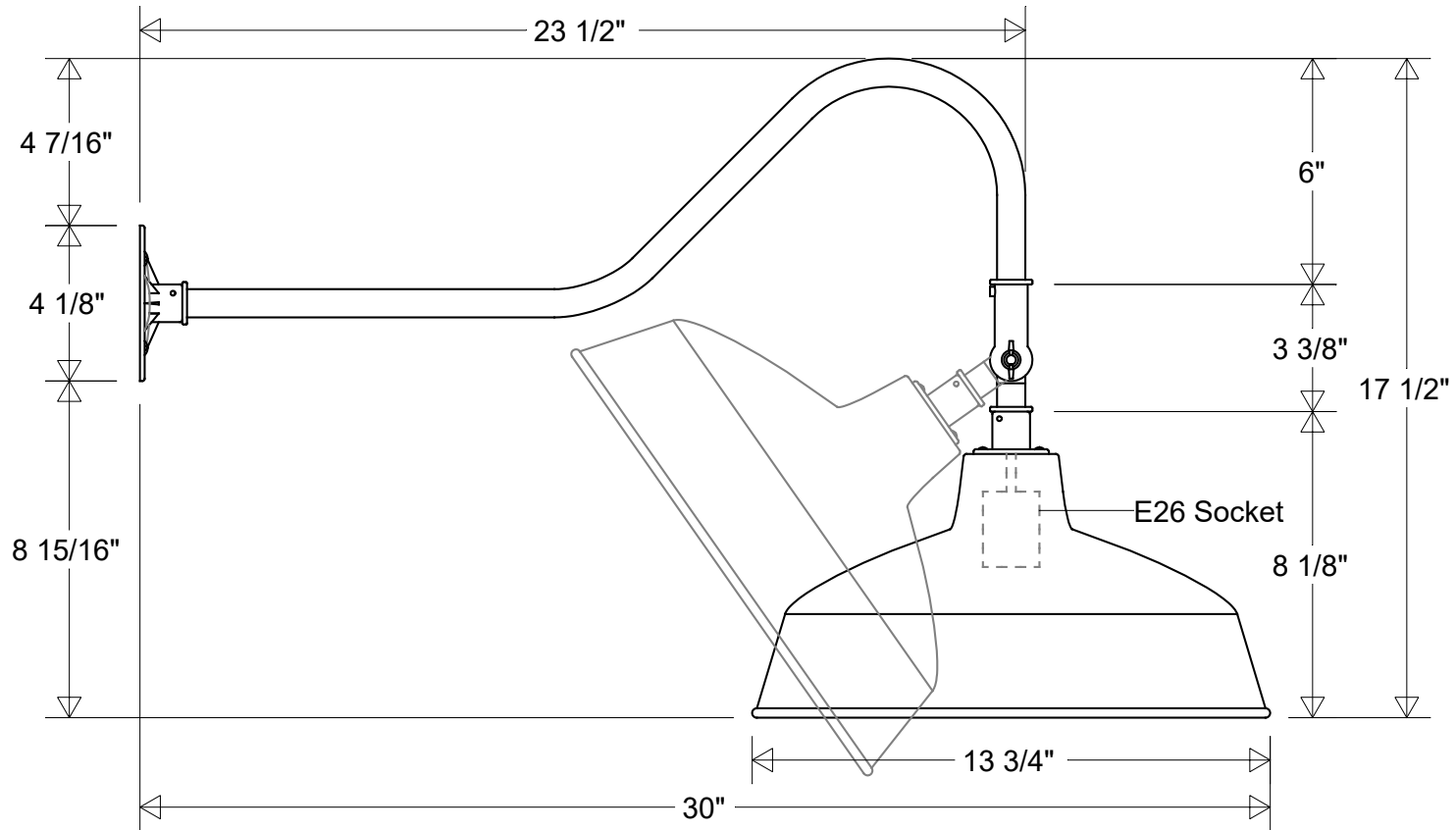



Primelite Manufacturing Corp

407 S Main St, Freeport, NY 11520

Phone: 516-868-4411 | Fax: 516-868-4609
 sales@primelite-mfg.com | www.primelite-mfg.com

PART # #23/14-850 ESW	LAMP E26 Socket	VOLTAGE 120 V	COLOR Powder Coated Paint
JOB NAME			TYPE Gooseneck



Lamp: E26 Socket Max Wattage: 150 W 	Initials	Date	<h2>#23/14-850 ESW</h2>							
	Drawn	CB						09/2023		
	Checked			13 3/4" Dia 30" Ext 17 1/2" H Adjustable Angle Swivel		Revisions				
Construction: Aluminum	MFR Appr.		Size	Drawing No.	Rev	Zone	Rev	Description	Date	Appr
	QA		A	0001	A					
Unless Otherwise Specified: Dimensions in Inches	Weight:		Scale	CAD File	Sheet					
					1 of 1					

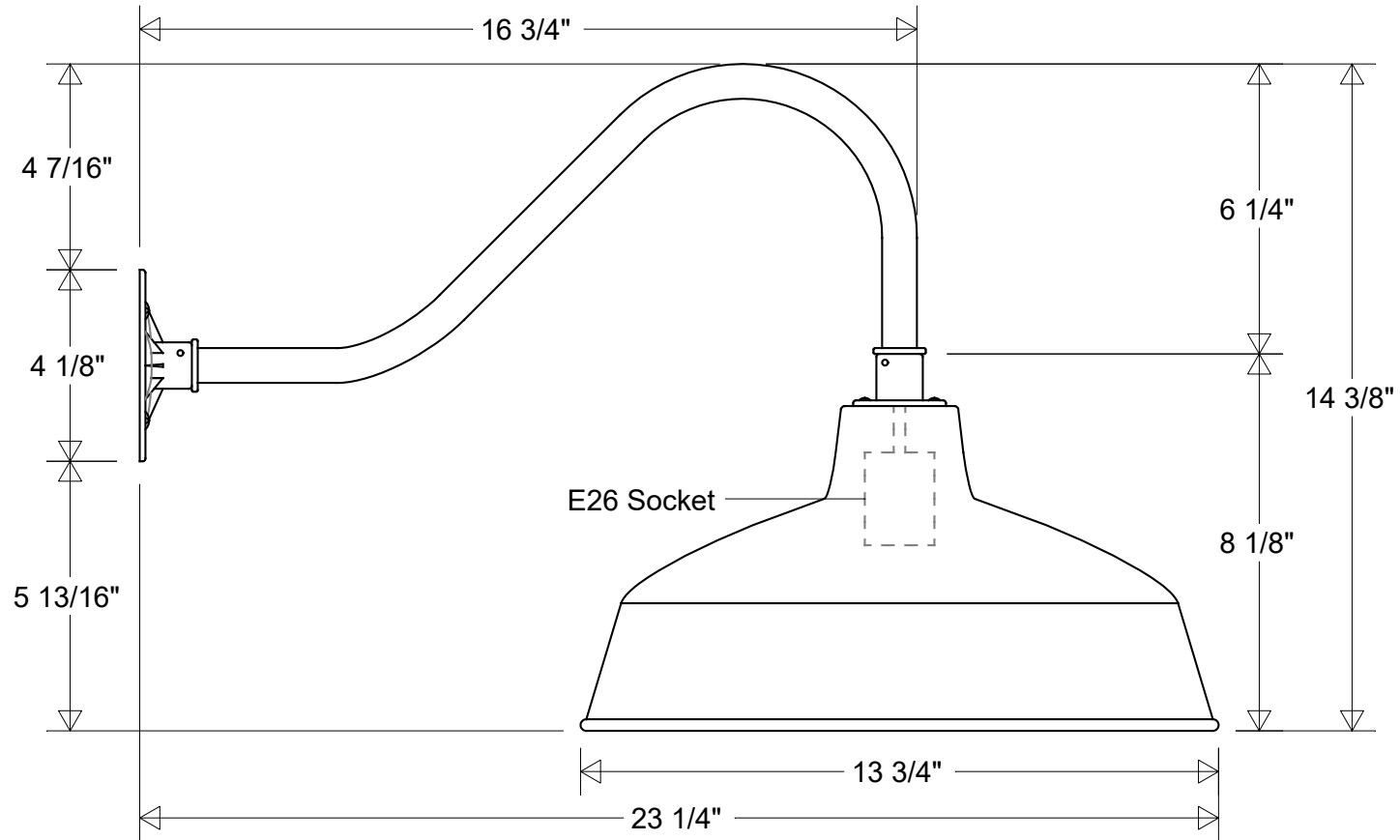



Primelite Manufacturing Corp

407 S Main St, Freeport, NY 11520

Phone: 516-868-4411 | Fax: 516-868-4609
 sales@primelite-mfg.com | www.primelite-mfg.com

PART # #23/14-859	LAMP E26 Socket	VOLTAGE 120 V	COLOR Powder Coated Paint
JOB NAME			TYPE Gooseneck



Lamp: E26 Socket Max Wattage: 150 W 	Initials	Date	#23/14-859						
	Drawn	CB						09/2023	
	Checked			13 3/4" Dia 23 1/4" Ext 14 3/8" H		Revisions			
ENG Appr.			6 1/4" Drop 5 13/16" Below Box		Zone	Rev	Description	Date	Appr
Construction: Aluminum	MFR Appr.		Size	Drawing No.	Rev				
	QA		A	0001	A				
Unless Otherwise Specified: Dimensions in Inches	Weight:		Scale	CAD File	Sheet				
					1 of 1				

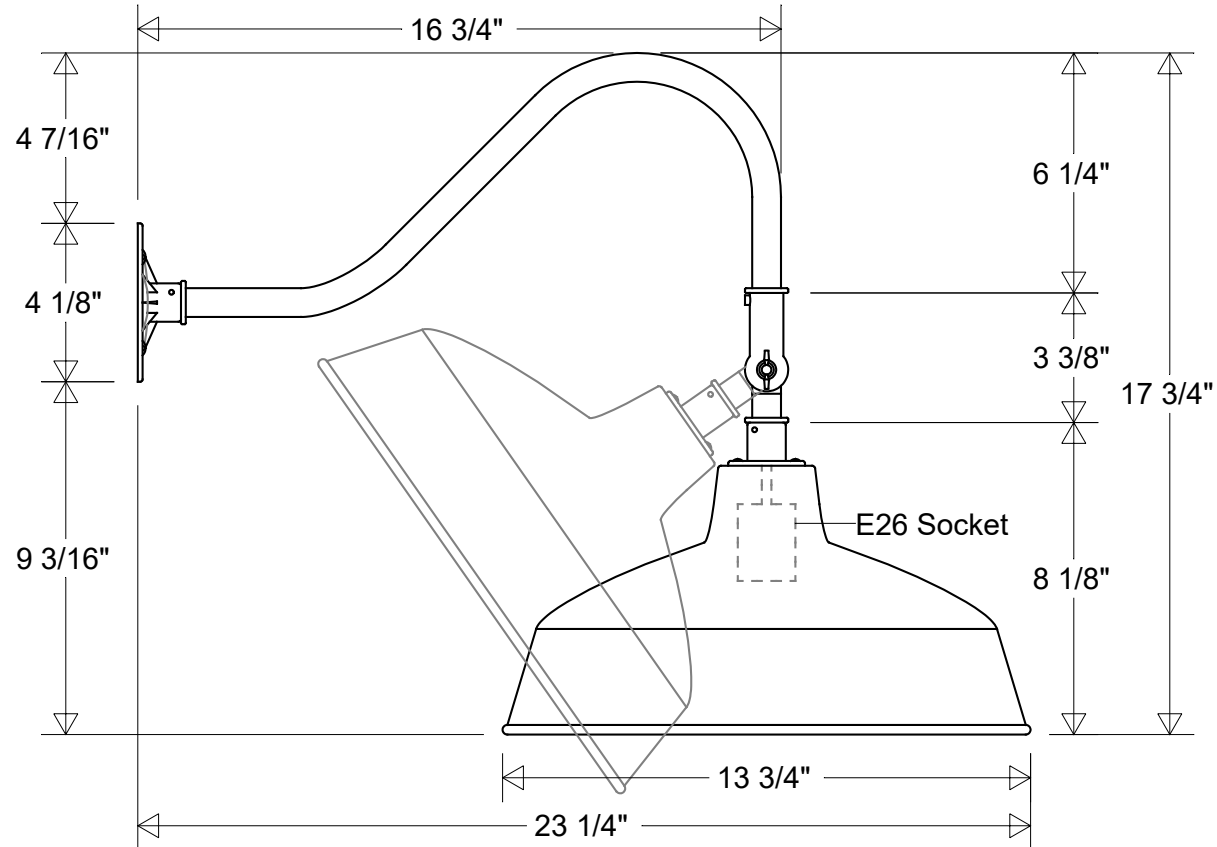



Primelite Manufacturing Corp

407 S Main St, Freeport, NY 11520

Phone: 516-868-4411 | Fax: 516-868-4609
 sales@primelite-mfg.com | www.primelite-mfg.com

PART # #23/14-859 ESW	LAMP E26 Socket	VOLTAGE 120 V	COLOR Powder Coated Paint
JOB NAME			TYPE Gooseneck



Lamp: E26 Socket Max Wattage: 150 W 	Initials	Date	<h2>#23/14-859 ESW</h2>							
	Drawn	CB						09/2023		
	Checked			13 3/4" Dia 23 1/4" Ext 17 3/4" H Adjustable Angle Swivel						
Construction: Aluminum	MFR Appr.		Size	Drawing No.	Rev	Revisions				
Unless Otherwise Specified: Dimensions in Inches	Weight:		Scale	CAD File	Sheet	Zone	Rev	Description	Date	Appr
			A	0001	A					
					1 of 1					

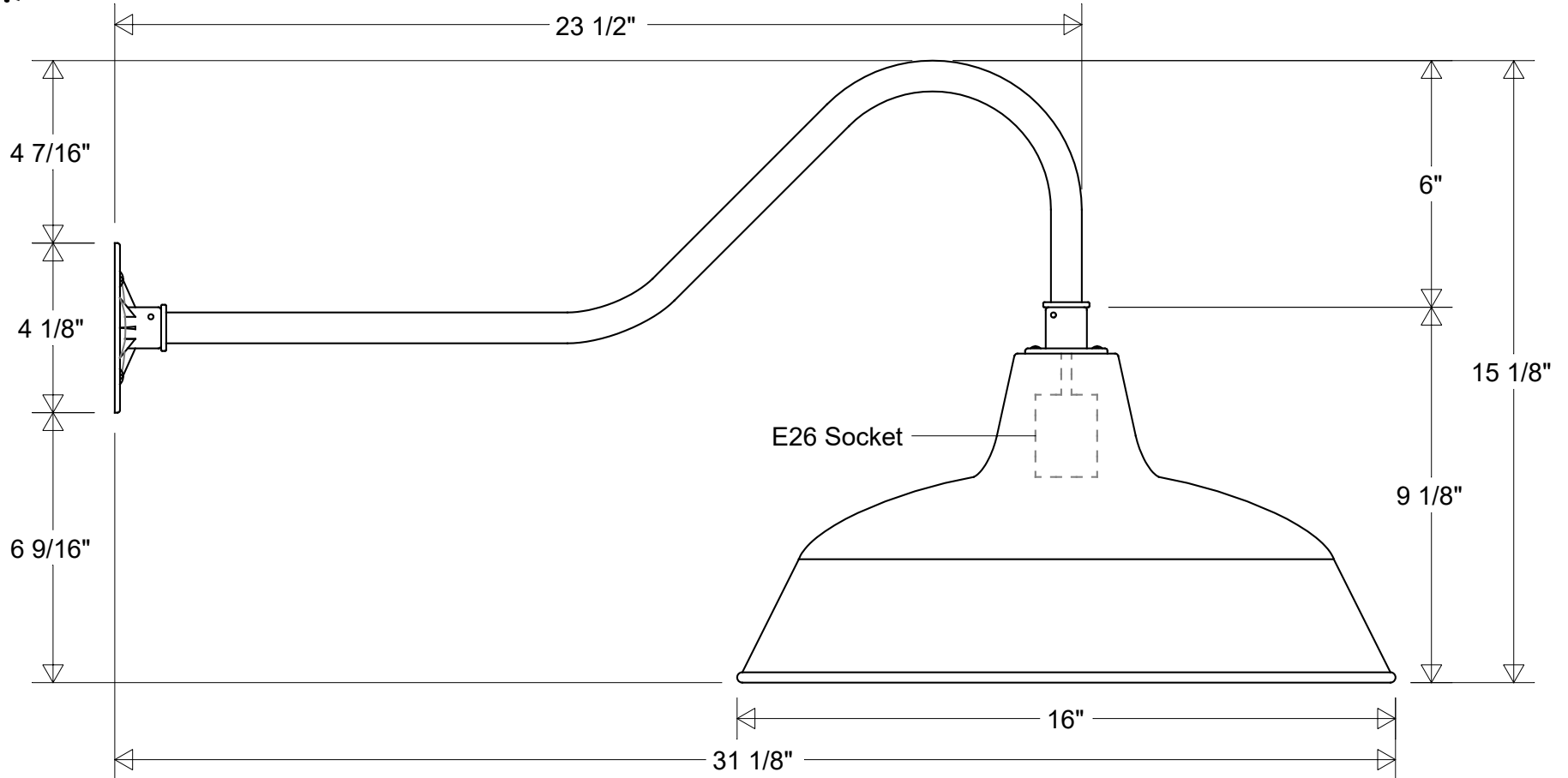


Primelite Manufacturing Corp

407 S Main St, Freeport, NY 11520

Phone: 516-868-4411 | Fax: 516-868-4609
 sales@primelite-mfg.com | www.primelite-mfg.com

PART # #23/16-850	LAMP E26 Socket	VOLTAGE 120 V	COLOR Powder Coated Paint
JOB NAME			TYPE Gooseneck



Lamp: E26 Socket
 Max Wattage: 200 W



	Initials	Date	#23/16-850
Drawn	CB	09/2023	
Checked			16" Dia 31 1/8" Ext 15 1/8" H
ENG Appr.			6" Drop 6 9/16" Below Box
Construction: Aluminum	MFR Appr.		Size Drawing No. Rev
	QA		A 0001 A
Unless Otherwise Specified: Dimensions in Inches	Weight:	Scale	CAD File Sheet
			1 of 1

Revisions				
Zone	Rev	Description	Date	Appr

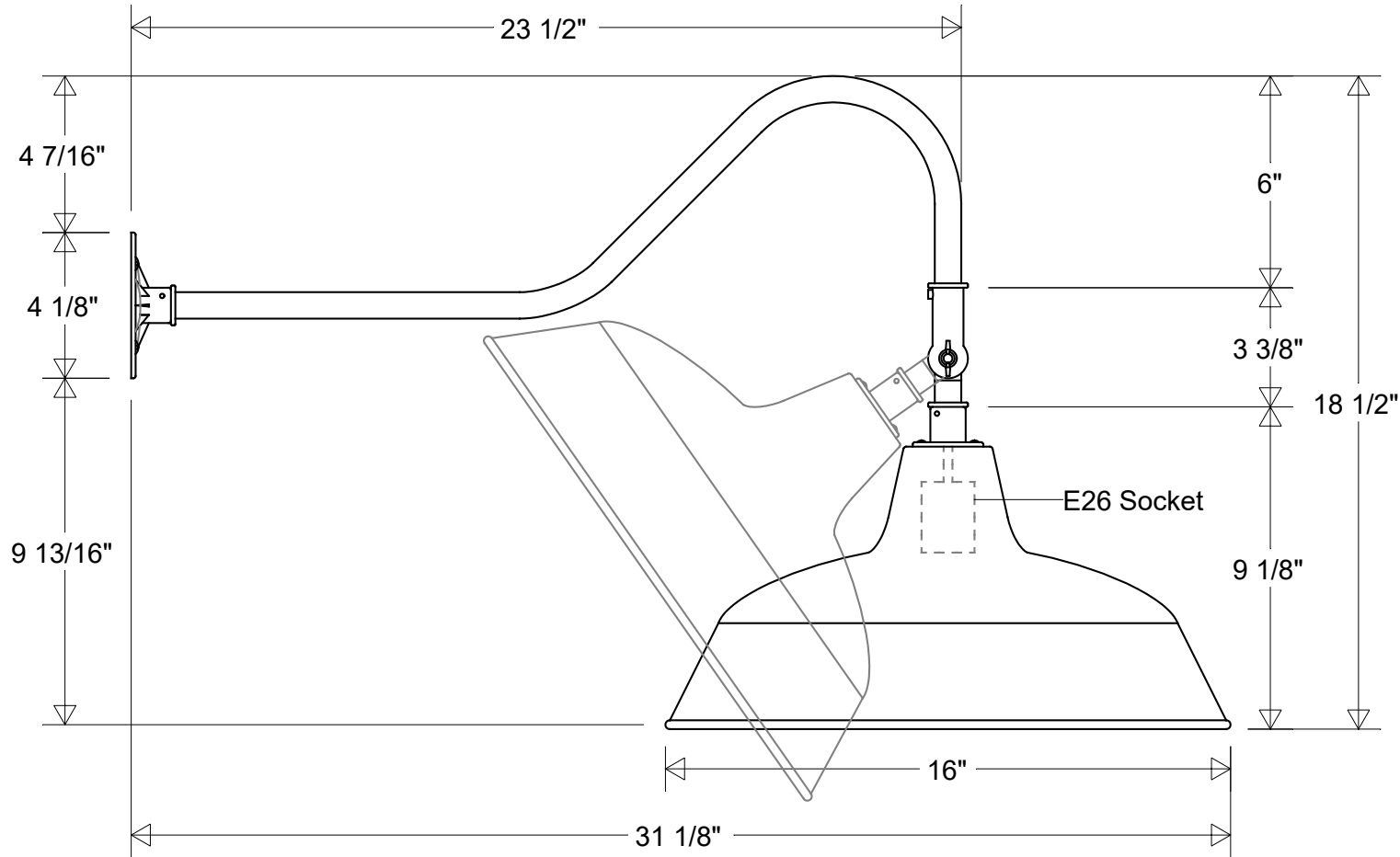



Primelite Manufacturing Corp

407 S Main St, Freeport, NY 11520

Phone: 516-868-4411 | Fax: 516-868-4609
 sales@primelite-mfg.com | www.primelite-mfg.com

PART # #23/16-850 ESW	LAMP E26 Socket	VOLTAGE 120 V	COLOR Powder Coated Paint
JOB NAME			TYPE Gooseneck



Lamp: E26 Socket Max Wattage: 200 W 	Initials	Date	#23/16-850 ESW		Revisions Zone Rev Description Date Appr					
	Drawn	CB								09/2023
	Checked			16" Dia 31 1/8" Ext 18 1/2" H						
Construction: Aluminum	MFR Appr.		Size	Drawing No.	Rev					
	QA		A	0001	A					
Unless Otherwise Specified: Dimensions in Inches	Weight:		Scale	CAD File	Sheet	1 of 1				

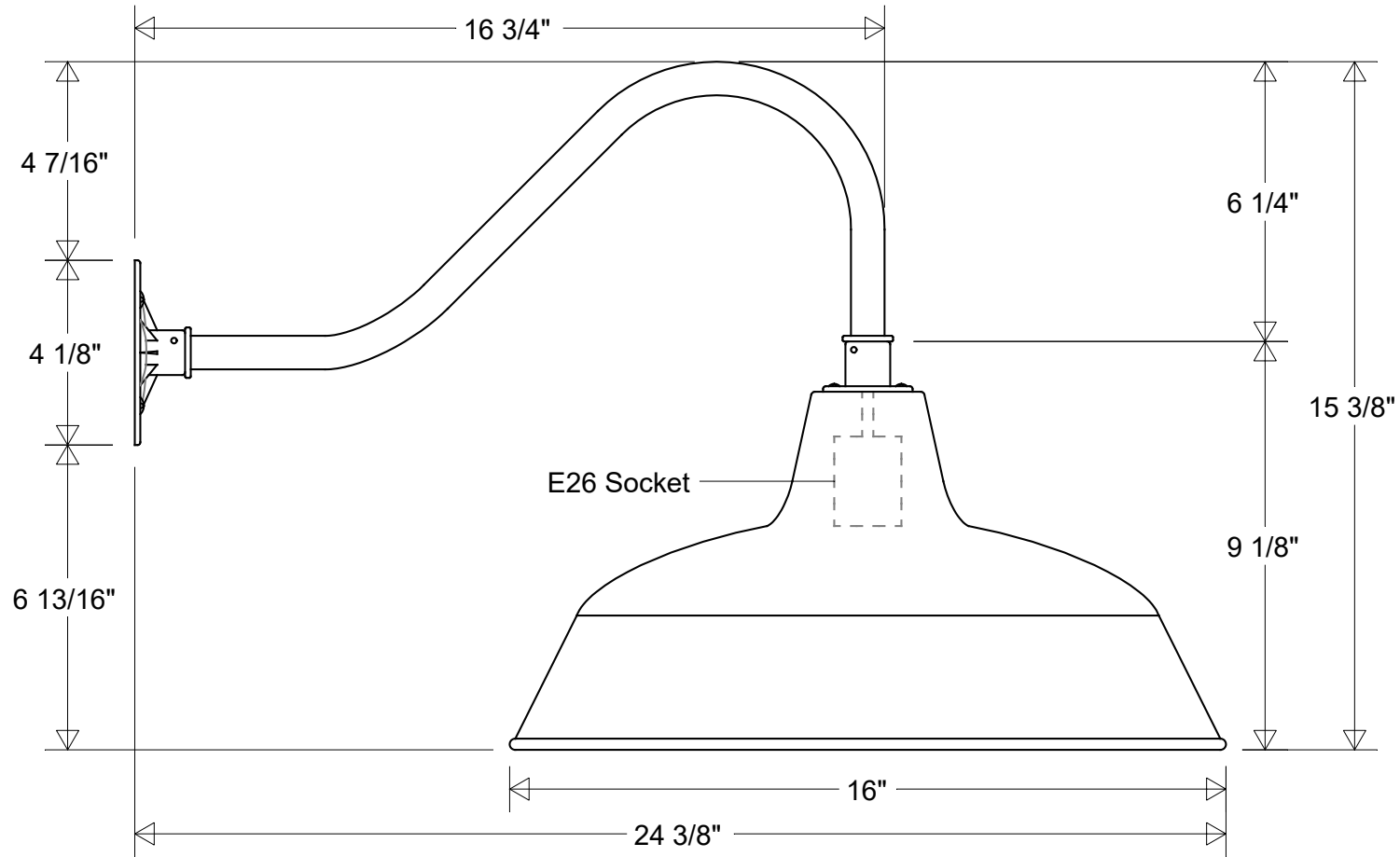



Primelite Manufacturing Corp

407 S Main St, Freeport, NY 11520

Phone: 516-868-4411 | Fax: 516-868-4609
 sales@primelite-mfg.com | www.primelite-mfg.com

PART # #23/16-859	LAMP E26 Socket	VOLTAGE 120 V	COLOR Powder Coated Paint
JOB NAME			TYPE Gooseneck



Lamp: E26 Socket Max Wattage: 200 W 	Initials	Date	#23/16-859						
	Drawn	CB						09/2023	
	Checked			16" Dia 24 3/8" Ext 15 3/8" H		Revisions			
ENG Appr.			6 1/4" Drop 6 13/16" Below Box		Zone	Rev	Description	Date	Appr
Construction: Aluminum	MFR Appr.		Size	Drawing No.	Rev				
	QA		A	0001	A				
Unless Otherwise Specified: Dimensions in Inches	Weight:		Scale	CAD File	Sheet				
					1 of 1				

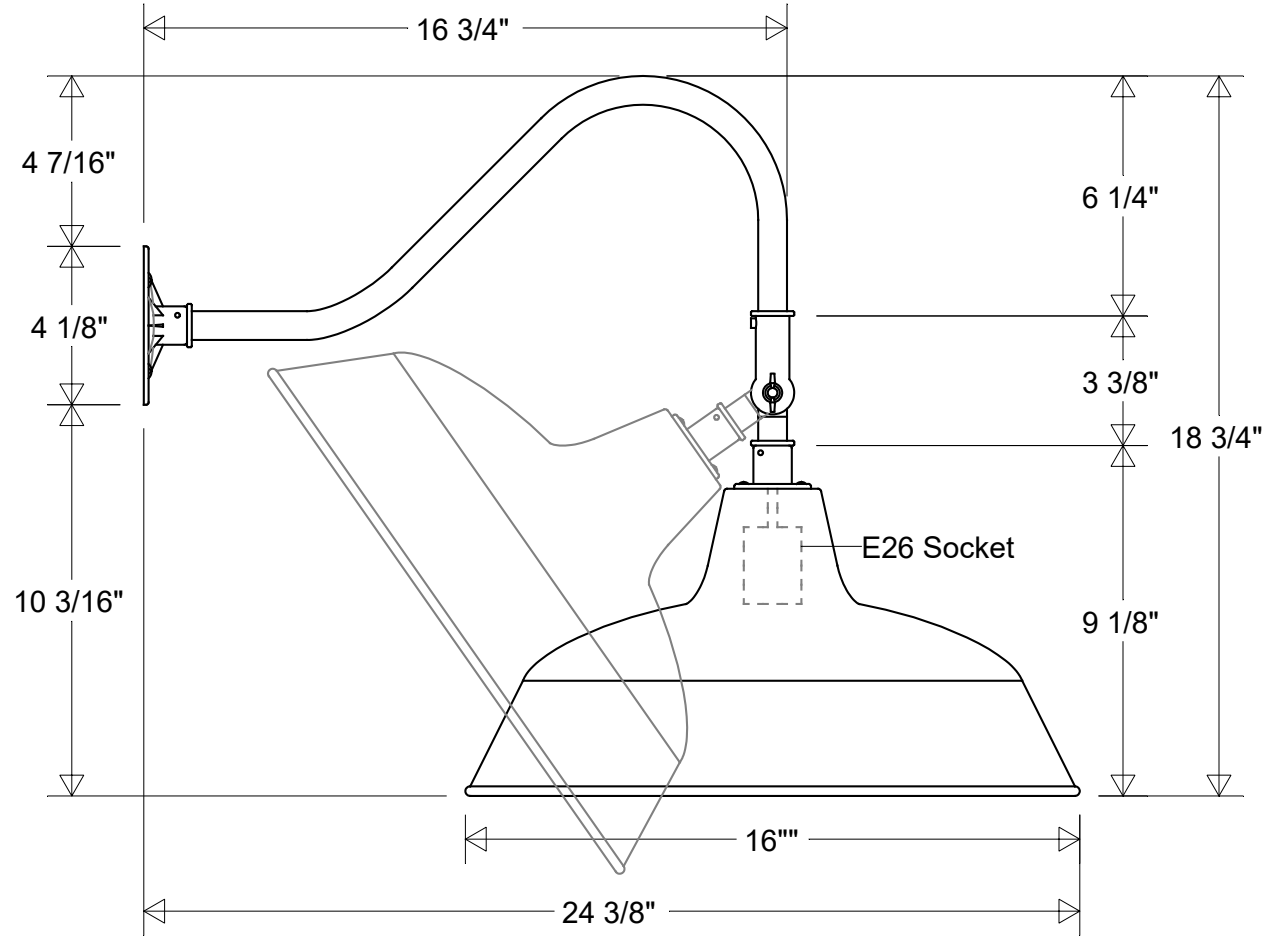



Primelite Manufacturing Corp

407 S Main St, Freeport, NY 11520

Phone: 516-868-4411 | Fax: 516-868-4609
 sales@primelite-mfg.com | www.primelite-mfg.com

PART # #23/16-859 ESW	LAMP E26 Socket	VOLTAGE 120 V	COLOR Powder Coated Paint
JOB NAME			TYPE Gooseneck



Lamp: E26 Socket Max Wattage: 200 W 	Initials	Date	<h2>#23/16-859 ESW</h2>							
	Drawn	CB						09/2023		
	Checked			16" Dia 24 3/8" Ext 18 3/4" H Adjustable Angle Swivel		Revisions				
Construction: Aluminum	ENG Appr.		Size	Drawing No.	Rev	Zone	Rev	Description	Date	Appr
Unless Otherwise Specified: Dimensions in Inches	MFR Appr.		A	0001	A					
	QA		Scale	CAD File	Sheet					
Weight:										1 of 1