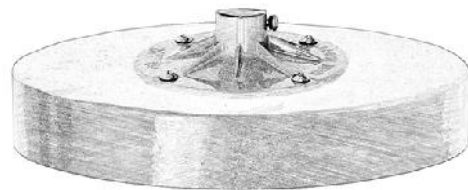
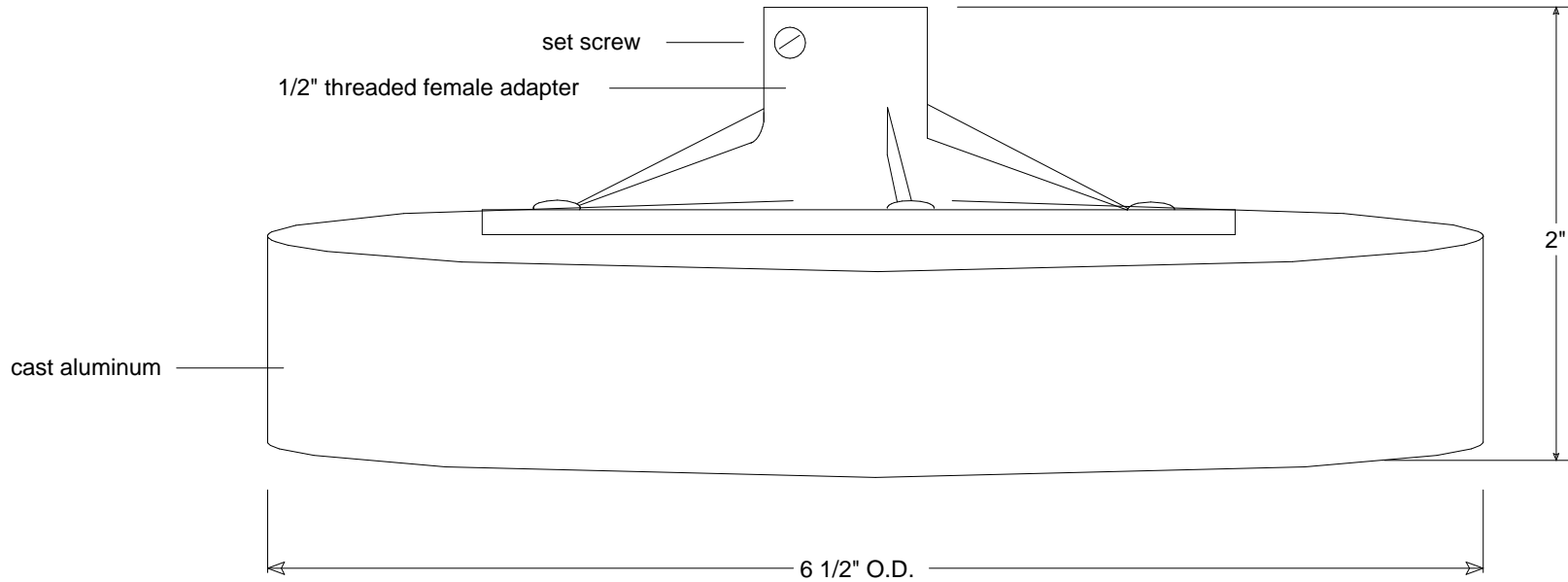




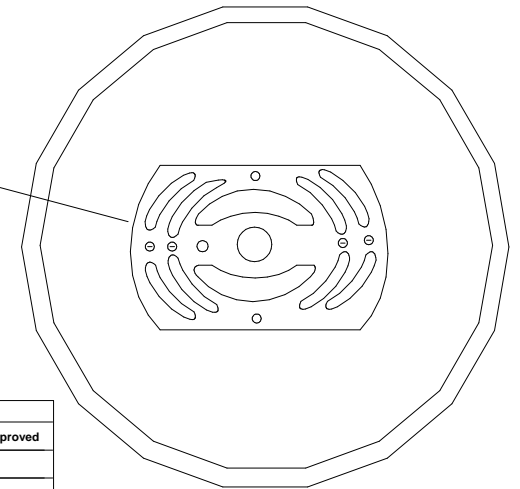
Primelite Manufacturing Corp

407 S Main St, Freeport, NY 11520
 Phone: 516-868-4411 | Fax: 516-868-4609
 sales@primelite-mfg.com | www.primelite-mfg.com

| | | | |
|----------------------|-------------|----------------|-------------------------------------|
| PART # #SI | LAMP n/a | VOLTAGE n/a | COLOR Powder Coated Paint |
| JOB NAME | | | TYPE Canopy |



universal backplate



back view

| | | | | | | |
|--|------------------|-------------|-------------|----------------------------------|---------------|-----|
| Unless Otherwise Specified: Dimensions in Inches Tolerances: Fractional ± Angular: Mach ± Bend ± Two Place Decimal ± Three Place Decimal ± | | Name | Date | Canopy #SI (SI6) | | |
| | Drawn | lv | 09/14/18 | | | |
| | Checked | | | Cast Aluminum Canopy Gooseneck | | |
| | ENG Appr. | | | | | |
| | MFR Appr. | | | Size | Drawing No. | Rev |
| QA | | | A | 0001 | A | |
| Construction: Aluminum | Comments | | Scale | CAD File | Sheet | |
| | | | | | 1 of 1 | |

| Revisions | | | | | |
|-----------|-----|-------------|------|----------|--|
| Zone | Rev | Description | Date | Approved | |
| | | | | | |
| | | | | | |
| | | | | | |