

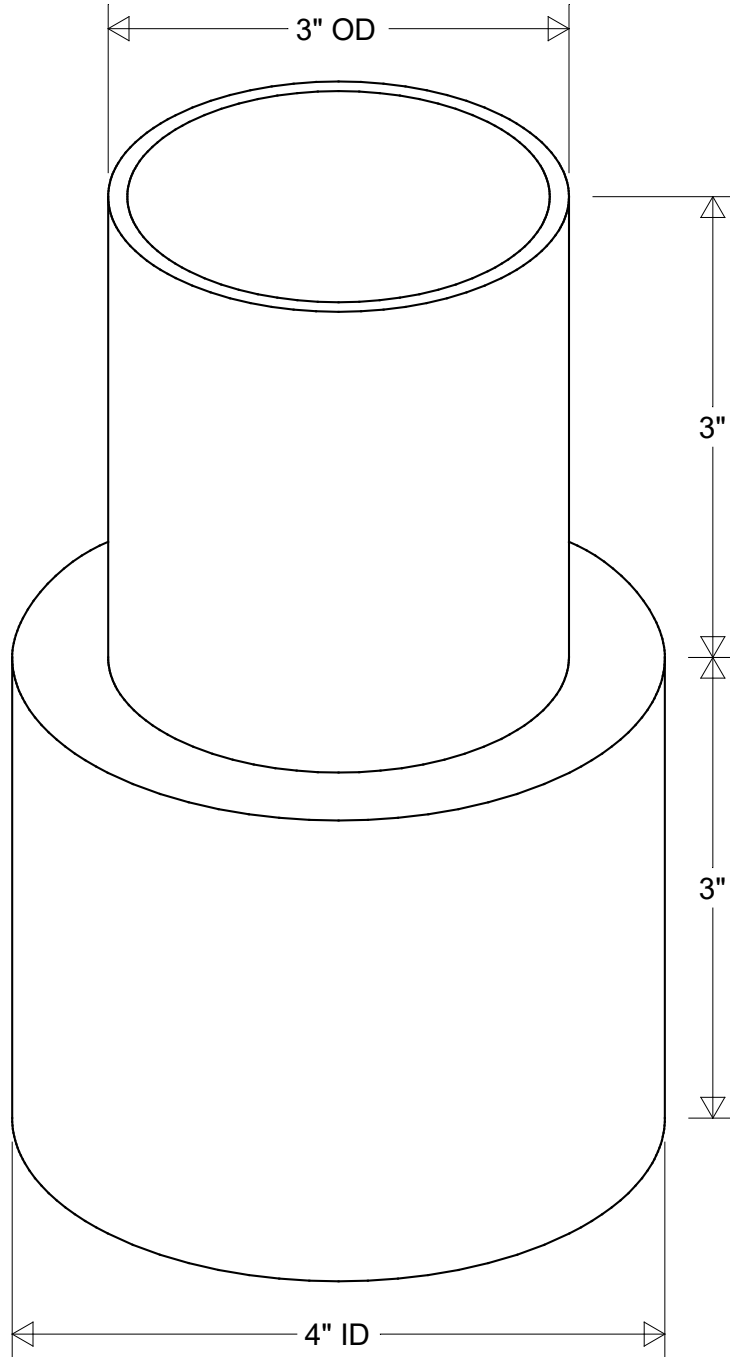


Primelite Manufacturing Corp

407 S Main St, Freeport, NY 11520

Phone: 516-868-4411 | Fax: 516-868-4609
 sales@primelite-mfg.com | www.primelite-mfg.com

PART # #PostAdapter	LAMP N/A	VOLTAGE N/A	COLOR Powder Coated Paint
JOB NAME			TYPE Post Adapter



Lamp: N/A	Name	Date	Post Adapter							
	Drawn	CB						12/2021		
	Checked			4" ID Bottom 3" OD Top 6" H						
	ENG Appr.									
MFR Appr.			Size	Drawing No.	Rev	Revisions				
Construction: Aluminum	QA		A	0001	A	Zone	Rev	Description	Date	Approved
Unless Otherwise Specified: Dimensions in Inches	Weight		Scale	CAD File	Sheet	1 of 1				