

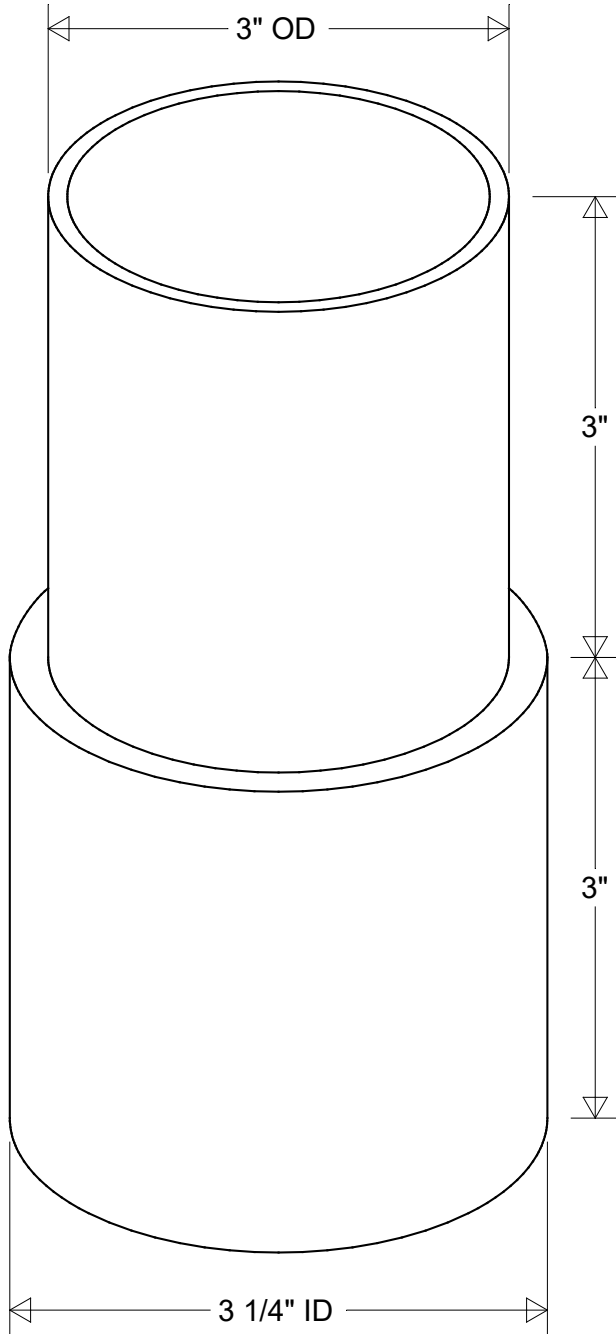


# Primelite Manufacturing Corp

407 S Main St, Freeport, NY 11520

Phone: 516-868-4411 | Fax: 516-868-4609  
 sales@primelite-mfg.com | www.primelite-mfg.com

PART # #PostAdapter	LAMP N/A	VOLTAGE N/A	COLOR Powder Coated Paint
JOB NAME			TYPE Post Adapter



Lamp: N/A	Name	Date	<b>Post Adapter</b>							
	Drawn	CB						12/2021		
	Checked			3 1/4" ID Bottom   3" OD Top   6" H						
	ENG Appr.									
	MFR Appr.			Size	Drawing No.	Rev	Revisions			
QA			<b>A</b>	<b>0001</b>	<b>A</b>	Zone	Rev	Description	Date	Approved
Construction: Aluminum	Weight	Scale	CAD File	Sheet	<b>1 of 1</b>					
Unless Otherwise Specified: Dimensions in Inches										