

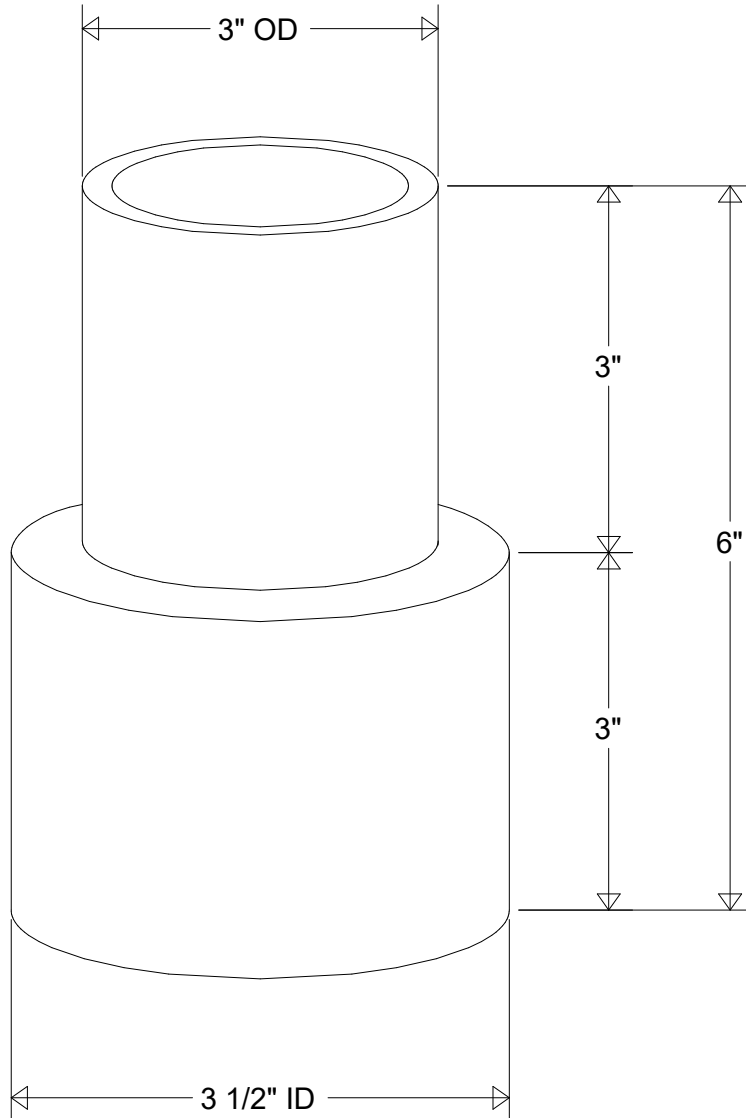


Primelite Manufacturing Corp

407 S Main St, Freeport, NY 11520

Phone: 516-868-4411 | Fax: 516-868-4609
 sales@primelite-mfg.com | www.primelite-mfg.com

PART # N/A	LAMP N/A	VOLTAGE N/A	COLOR Powder Coated Paint
JOB NAME			TYPE Post Accessory



Lamp: N/A	Name	Date	Post Adapter			Revisions					
	Drawn	CB				6/2020	Zone	Rev	Description	Date	Approved
	Checked			3" OD Top 3 1/2" ID Bottom							
	ENG Appr.			Size	Drawing No.	Rev					
Construction: Aluminum	MFR Appr.			A	0001	A					
Unless Otherwise Specified: Dimensions in Inches	QA			Scale	CAD File	Sheet	1 of 1				
	Weight										