

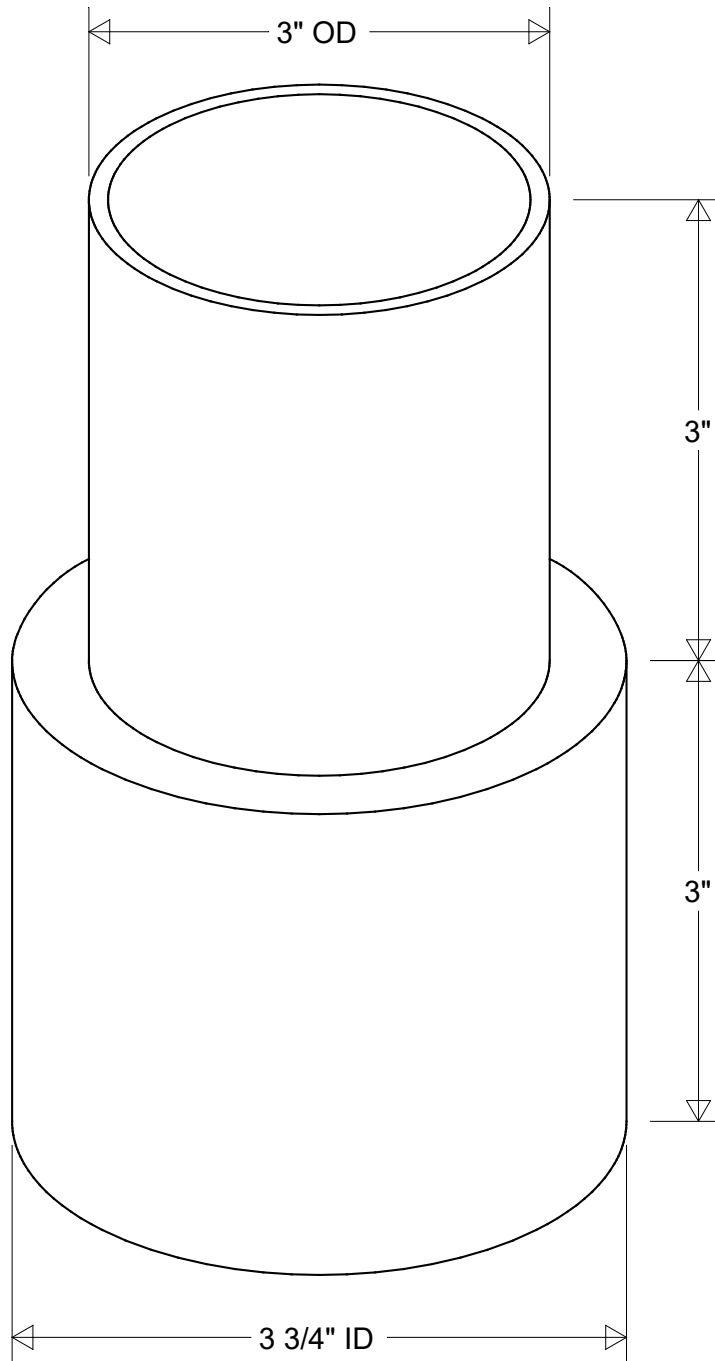


Primelite Manufacturing Corp

407 S Main St, Freeport, NY 11520

Phone: 516-868-4411 | Fax: 516-868-4609
 sales@primelite-mfg.com | www.primelite-mfg.com

PART # #Post Adapter	LAMP N/A	VOLTAGE N/A	COLOR Powder Coated Paint
JOB NAME			TYPE Post Adapter



Lamp: N/A	Initials	Date	Post Adapter 3"OD to 3 3/4" ID			Revisions					
	Drawn	CB									02/2022
	Checked			3" OD Top 3 3/4" ID Bottom 6" H			Zone	Rev	Description	Date	Appr
Construction: Aluminum	ENG Appr.			Size	Drawing No.	Rev					
	MFR Appr.			A	0001	A					
Unless Otherwise Specified: Dimensions in Inches	Weight:			Scale	CAD File	Sheet	1 of 1				