



Primelite Manufacturing Corp

407 S Main St, Freeport, NY 11520

Phone: 516-868-4411 | Fax: 516-868-4609

sales@primelite-mfg.com | www.primelite-mfg.com

PART #

N/A

LAMP

N/A

VOLTAGE

N/A

COLOR

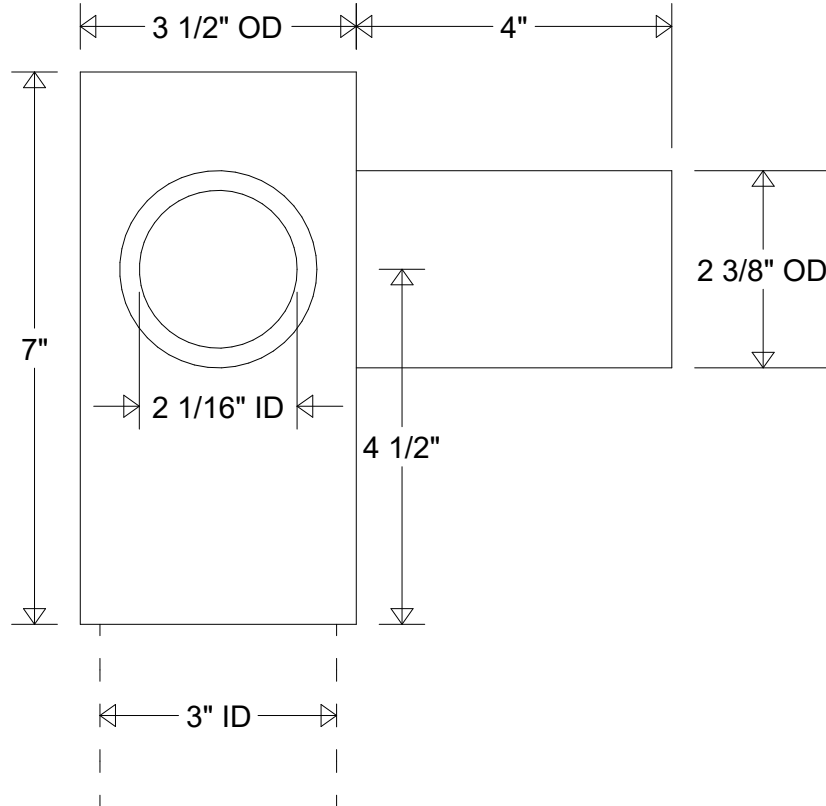
Powder Coated Paint

JOB NAME

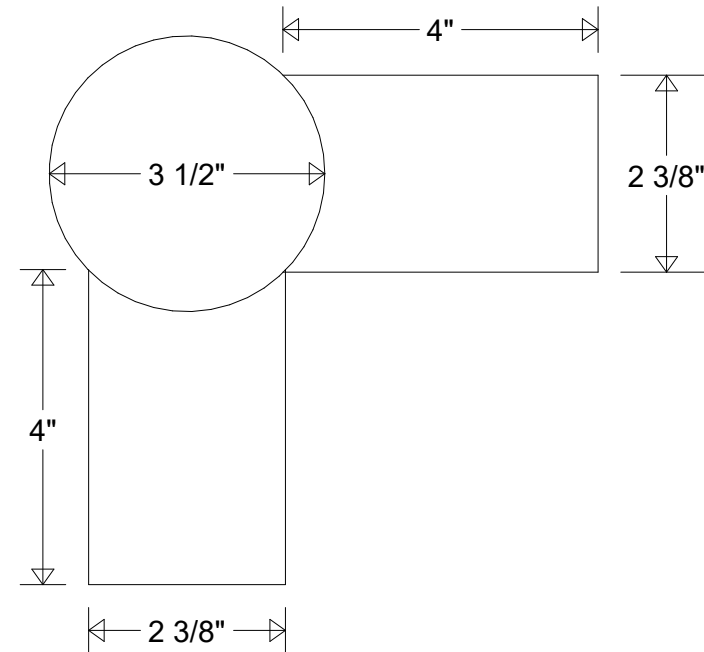
TYPE

Post Accesory

SIDE VIEW



TOP VIEW



Lamp: N/A	Name	Date	Post Adapter			
	Drawn	CB				01/2021
	Checked			3 1/2" OD 7" H 4" Ext		
	ENG Appr.					
	MFR Appr.					
Construction: Aluminum	QA		Size	Drawing No.	Rev	
Unless Otherwise Specified: Dimensions in Inches	Weight		A	0001	A	
		Scale	CAD File	Sheet	1 of 1	

Revisions				
Zone	Rev	Description	Date	Approved