



# Primelite Manufacturing Corp

407 S Main St, Freeport, NY 11520

Phone: 516-868-4411 | Fax: 516-868-4609

sales@primelite-mfg.com | www.primelite-mfg.com

PART #

N/A

LAMP

N/A

VOLTAGE

N/A

COLOR

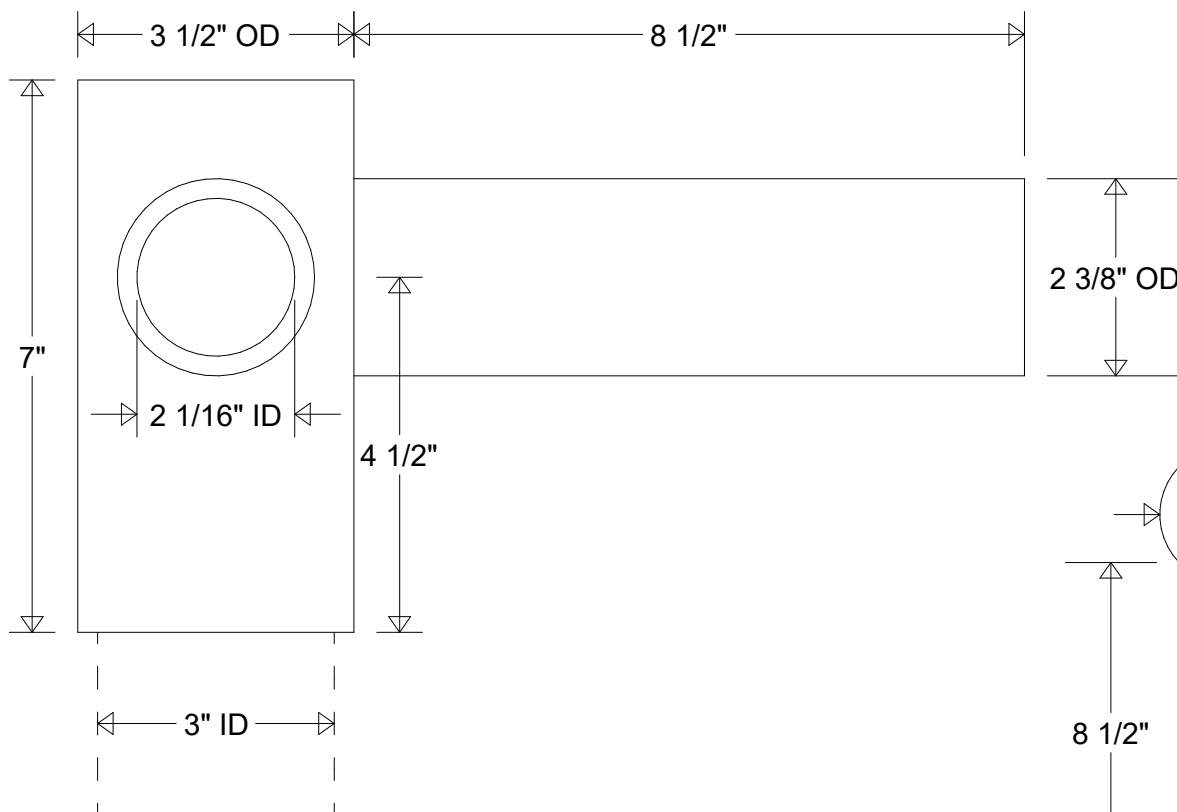
Powder Coated Paint

JOB NAME

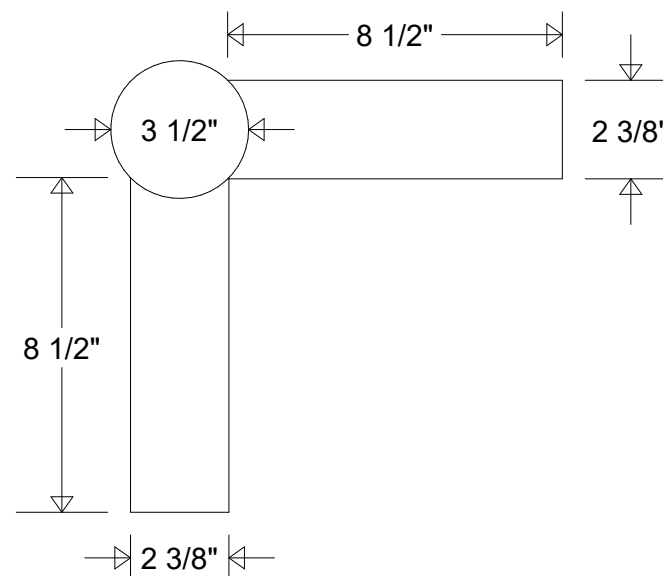
TYPE

Post Accesory

## SIDE VIEW



## TOP VIEW



Lamp: N/A	Name	Date	<b>Post Adapter</b>			
	Drawn	CB				01/2021
	Checked			3 1/2" OD   7" H   8 1/2" Ext		
	ENG Appr.					
	MFR Appr.					
Construction: Aluminum	QA		Size	Drawing No.	Rev	
Unless Otherwise Specified: Dimensions in Inches	Weight		<b>A</b>	<b>0001</b>	<b>A</b>	
			Scale	CAD File	Sheet	
					<b>1 of 1</b>	

Revisions				
Zone	Rev	Description	Date	Approved