

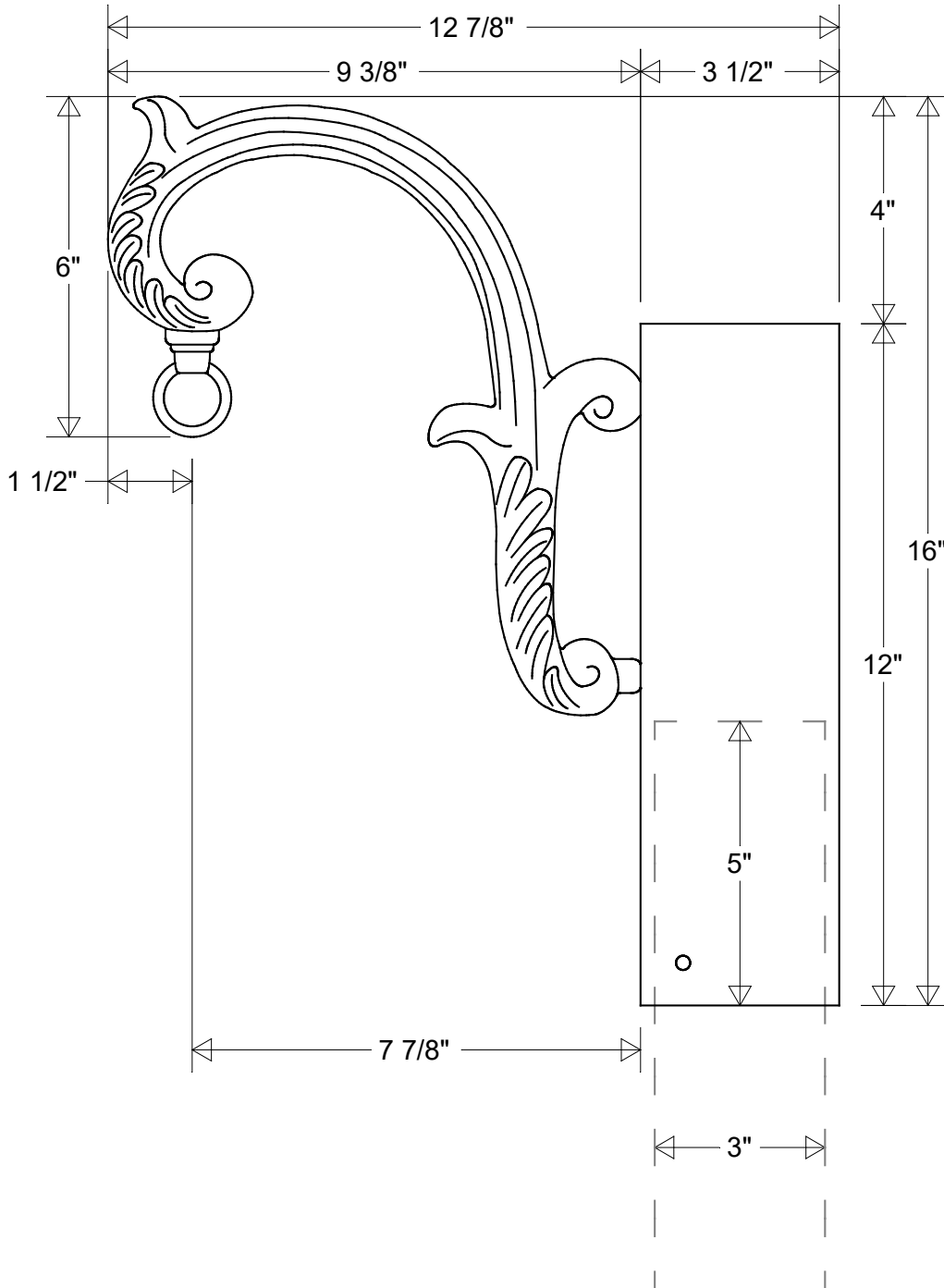


# Primelite Manufacturing Corp

407 S Main St, Freeport, NY 11520

Phone: 516-868-4411 | Fax: 516-868-4609  
 sales@primelite-mfg.com | www.primelite-mfg.com

<b>PART #</b> #CAT1 With Loop	<b>LAMP</b> N/A	<b>VOLTAGE</b> N/A	<b>COLOR</b> Powder Coated Paint
<b>JOB NAME</b>			<b>TYPE</b> Post Arm



Lamp: N/A	Initials	Date	<b>Post Arm #CAT1 With Loop</b>																											
	Drawn	CB						04/2022																						
	Checked			12 7/8" Ext   16" H   Fits 3" OD Round Posts																										
ENG Appr.																														
Construction: Aluminum	MFR Appr.		Size	Drawing No.	Rev	<table border="1"> <thead> <tr> <th colspan="5">Revisions</th> </tr> <tr> <th>Zone</th> <th>Rev</th> <th>Description</th> <th>Date</th> <th>Appr</th> </tr> </thead> <tbody> <tr> <td> </td> <td> </td> <td> </td> <td> </td> <td> </td> </tr> <tr> <td> </td> <td> </td> <td> </td> <td> </td> <td> </td> </tr> </tbody> </table>					Revisions					Zone	Rev	Description	Date	Appr										
	Revisions																													
Zone	Rev	Description	Date	Appr																										
QA			<b>A</b>	<b>0001</b>	<b>A</b>																									
Unless Otherwise Specified: Dimensions in Inches	Weight:		Scale	CAD File	Sheet	<b>1 of 1</b>																								