

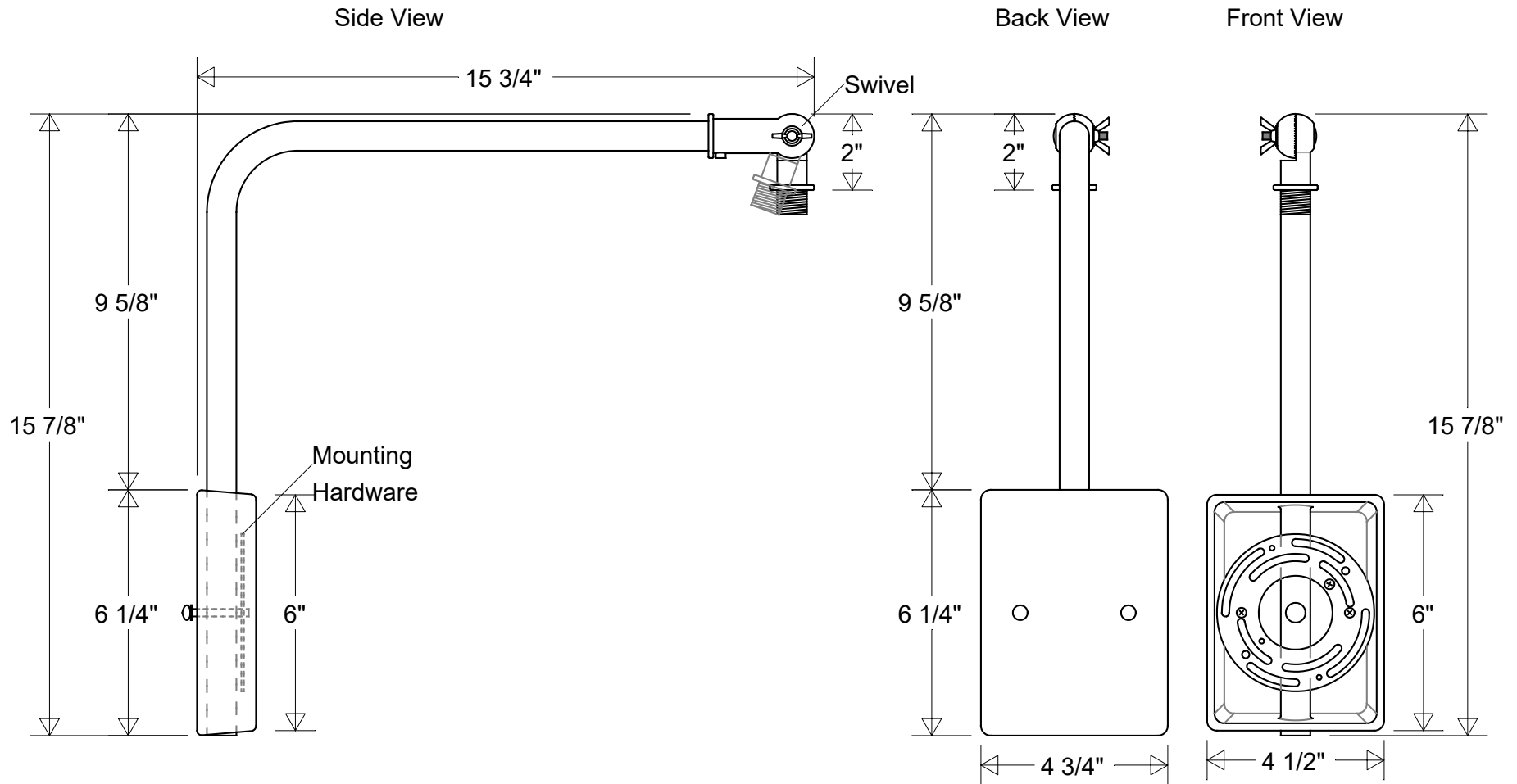


# Primelite Manufacturing Corp

407 S Main St, Freeport, NY 11520

Phone: 516-868-4411 | Fax: 516-868-4609  
 sales@primelite-mfg.com | www.primelite-mfg.com

PART # #870 ESW Special	LAMP N/A	VOLTAGE N/A	COLOR Powder Coated Paint
JOB NAME			TYPE Gooseneck Arm



Lamp: N/A	Initials	Date	<b>#870 ESW Special</b>		<table border="1"> <thead> <tr> <th colspan="5">Revisions</th> </tr> <tr> <th>Zone</th> <th>Rev</th> <th>Description</th> <th>Date</th> <th>Appr</th> </tr> </thead> <tbody> <tr> <td> </td> <td> </td> <td> </td> <td> </td> <td> </td> </tr> <tr> <td> </td> <td> </td> <td> </td> <td> </td> <td> </td> </tr> </tbody> </table>					Revisions					Zone	Rev	Description	Date	Appr										
	Revisions																												
	Zone	Rev	Description	Date	Appr																								
Drawn	CB	10/2023	15 3/4" Ext   15 7/8" H   4 3/4" W																										
Checked			Swivel   Reverse Canopy																										
ENG Appr.																													
Construction: Aluminum	MFR Appr.		Size	Drawing No.	Rev																								
	QA		<b>A</b>	<b>0001</b>	<b>A</b>																								
Unless Otherwise Specified: Dimensions in Inches	Weight:		Scale	CAD File	Sheet	<b>1 of 1</b>																							