

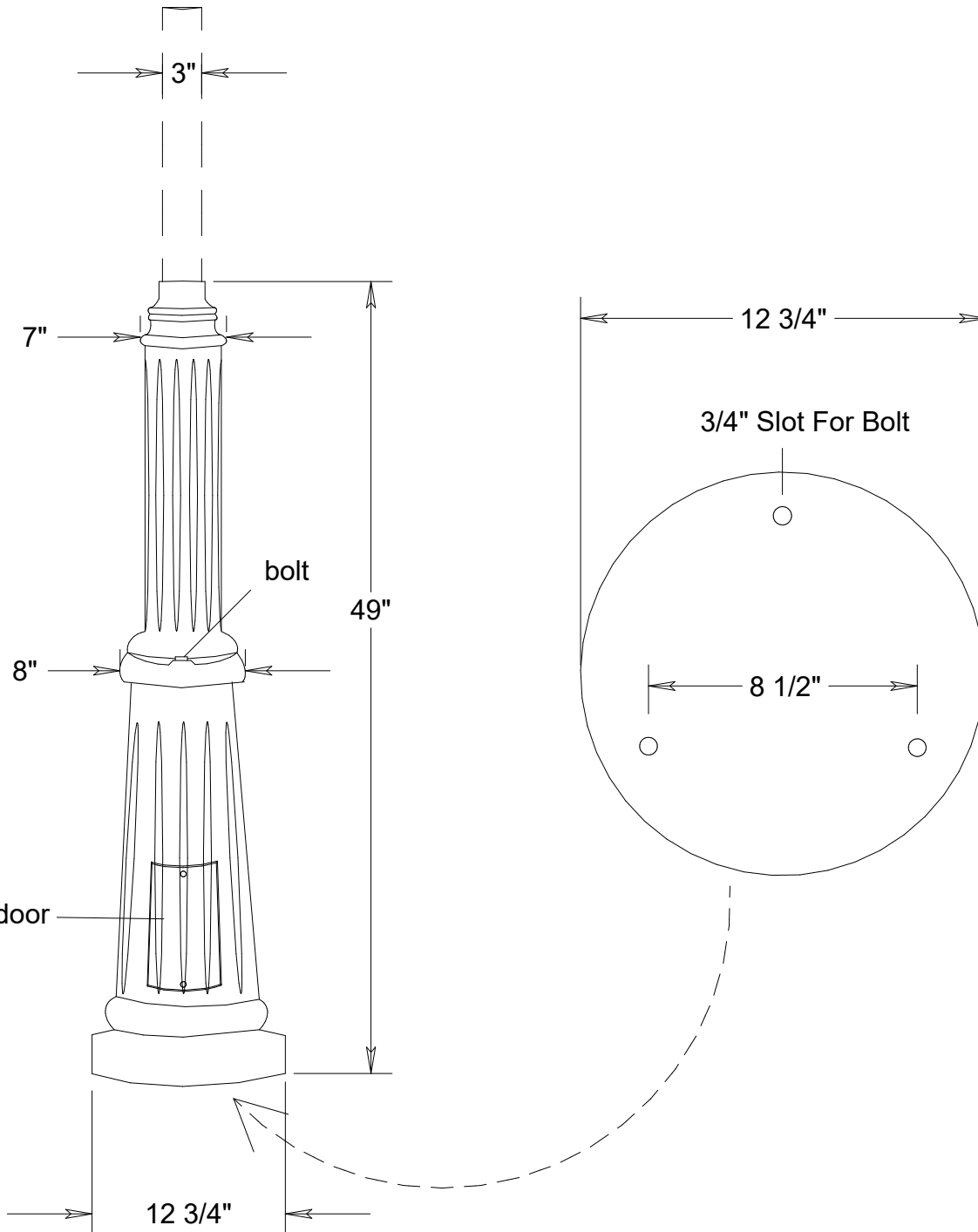


Primelite Manufacturing Corp

407 S Main St, Freeport, NY 11520

Phone: 516-868-4411 | Fax: 516-868-4609
 sales@primelite-mfg.com | www.primelite-mfg.com

PART #	LAMP	VOLTAGE	COLOR Powder Coated Paint
JOB NAME			TYPE Bolt Circle



Lamp: Incandescent | LED

Name Date

Drawn CB 8/19

Checked

ENG Appr.

MFR Appr.

QA

Construction: Aluminum

Unless Otherwise Specified:
Dimensions in Inches

Weight

Size

A

Drawing No.

0001

Rev

A

Scale

CAD File

Sheet

1 of 1

8 1/2" Bolt Circle

8 1/2" Bolt Circle | 3 Bolts | 3/4" Slots

Revisions				
Zone	Rev	Description	Date	Approved