

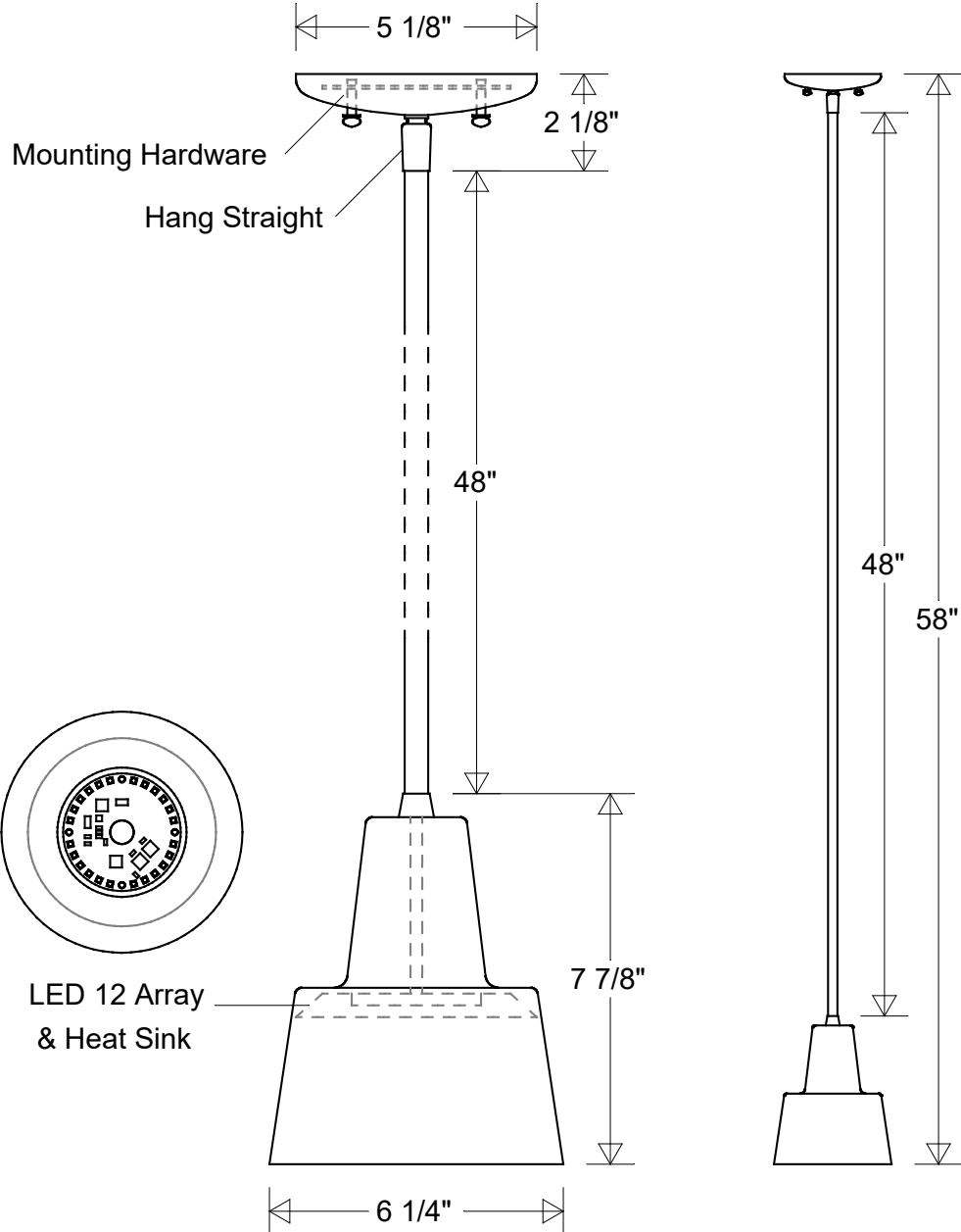


Primelite Manufacturing Corp

407 S Main St, Freeport, NY 11520

Phone: 516-868-4411 | Fax: 516-868-4609
 sales@primelite-mfg.com | www.primelite-mfg.com

PART # #77 ES	LAMP LED 12	VOLTAGE 120 V	COLOR Powder Coated Paint
JOB NAME			TYPE Pendant



Lamp: LED 12 Array
 60 W Inc Equivalent
 3K = 910 Lumens
 4K = 1000 Lumens



	Initials	Date
Drawn	CB	09/2022
Checked		
ENG Appr.		
MFR Appr.		
QA		

Pendant #77 ES LED 12 Special

6 1/4" Dia | 58" H | 48" 1/4 IPS Stem

Revisions				
Zone	Rev	Description	Date	Appr

Construction:
Aluminum

Size	Drawing No.	Rev
A	0001	A

Unless Otherwise Specified:
Dimensions in Inches

Weight:	Scale	CAD File	Sheet
			1 of 1