

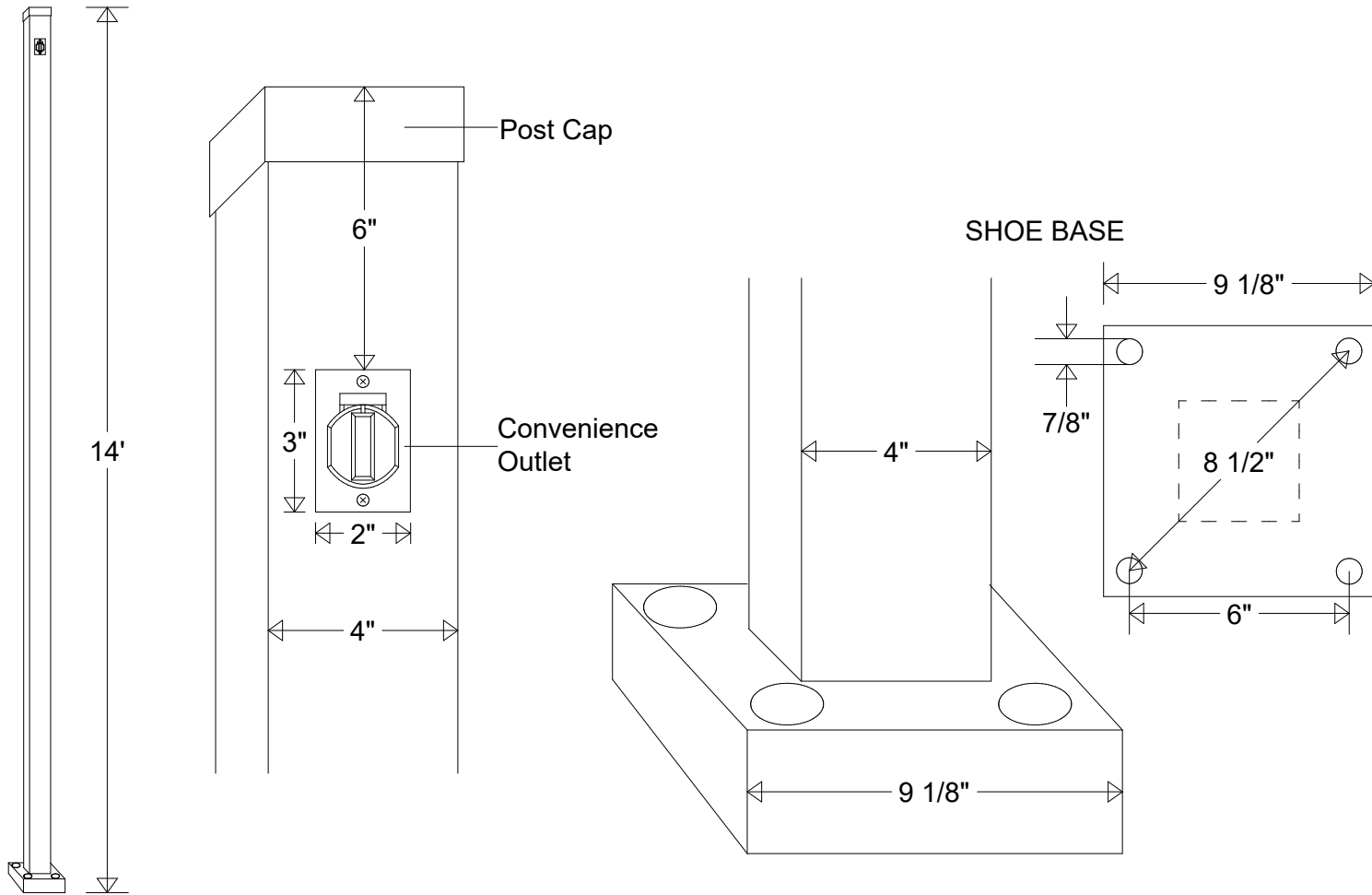


Primelite Manufacturing Corp

407 S Main St, Freeport, NY 11520

Phone: 516-868-4411 | Fax: 516-868-4609
 sales@primelite-mfg.com | www.primelite-mfg.com

| | | | |
|-------------------------------|--------------------|-------------------------|-------------------------------------|
| PART # #6414 SB C/O | LAMP N/A | VOLTAGE 120 V | COLOR Powder Coated Paint |
| JOB NAME | | | TYPE Post |



| | | | | | |
|--|------------------|-------------|--------------------------|--|---------------|
| Lamp: N/A Max Wattage: N/A | Name | Date | Post #6414 SB C/O | | |
| | Drawn | CB | | | 9/2020 |
| | Checked | | | 14' H 4" W 9 1/8" Shoe Base Convenience Outlet Post Cap | |
| | ENG Appr. | | | | |
| MFR Appr. | | | | | |
| Construction: Aluminum | QA | | Size | Drawing No. | Rev |
| | Weight | | A | 0001 | A |
| Unless Otherwise Specified: Dimensions in Inches | | | Scale | CAD File | Sheet |
| | | | | | 1 of 1 |

| Revisions | | | | |
|-----------|-----|-------------|------|----------|
| Zone | Rev | Description | Date | Approved |
| | | | | |
| | | | | |
| | | | | |