

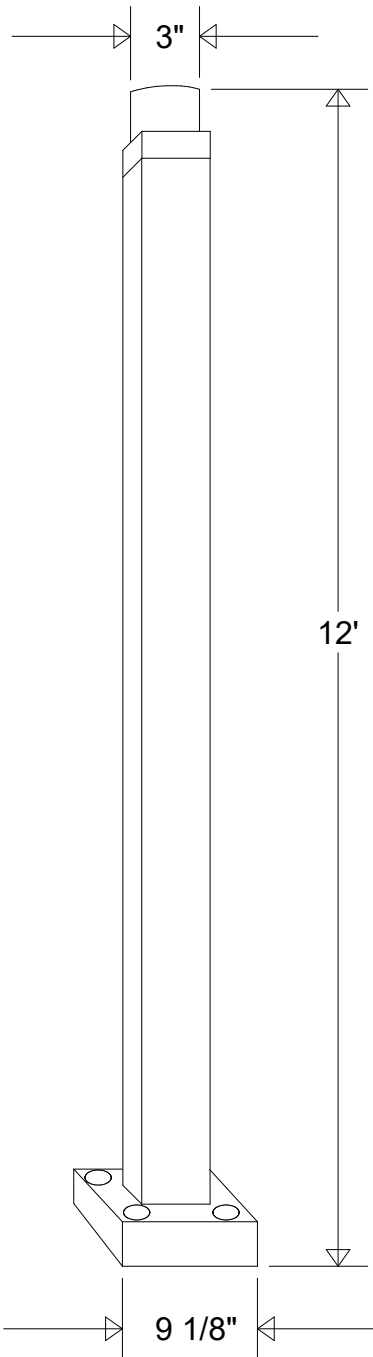


Primelite Manufacturing Corp

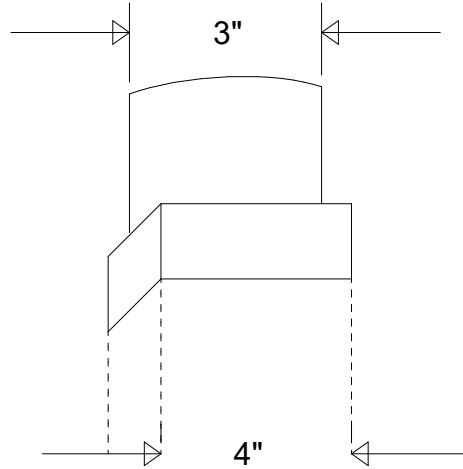
407 S Main St, Freeport, NY 11520

Phone: 516-868-4411 | Fax: 516-868-4609
 sales@primelite-mfg.com | www.primelite-mfg.com

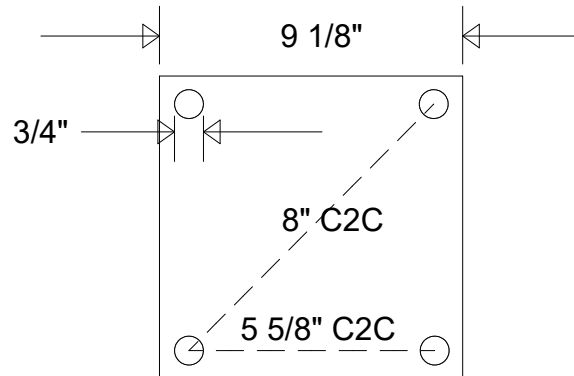
PART # #6412-SB Special	LAMP N/A	VOLTAGE N/A	COLOR Powder Coated Paint
JOB NAME			TYPE Post



4" SQUARE TO 3" ROUND POST ADAPTER



SHOE BASE



Lamp: N/A	Name	Date	Post #6412-SB Special			Revisions					
	Drawn	CB				2/2020	Zone	Rev	Description	Date	Approved
	Checked			12' H 4" W 9 1/8" Base							
	ENG Appr.			8" Bolt Pattern 3/4" Bolts 3" Adapter							
Construction: Aluminum	MFR Appr.			Size	Drawing No.	Rev					
	QA			A	0001	A					
Unless Otherwise Specified: Dimensions in Inches	Weight			Scale	CAD File	Sheet	1 of 1				