

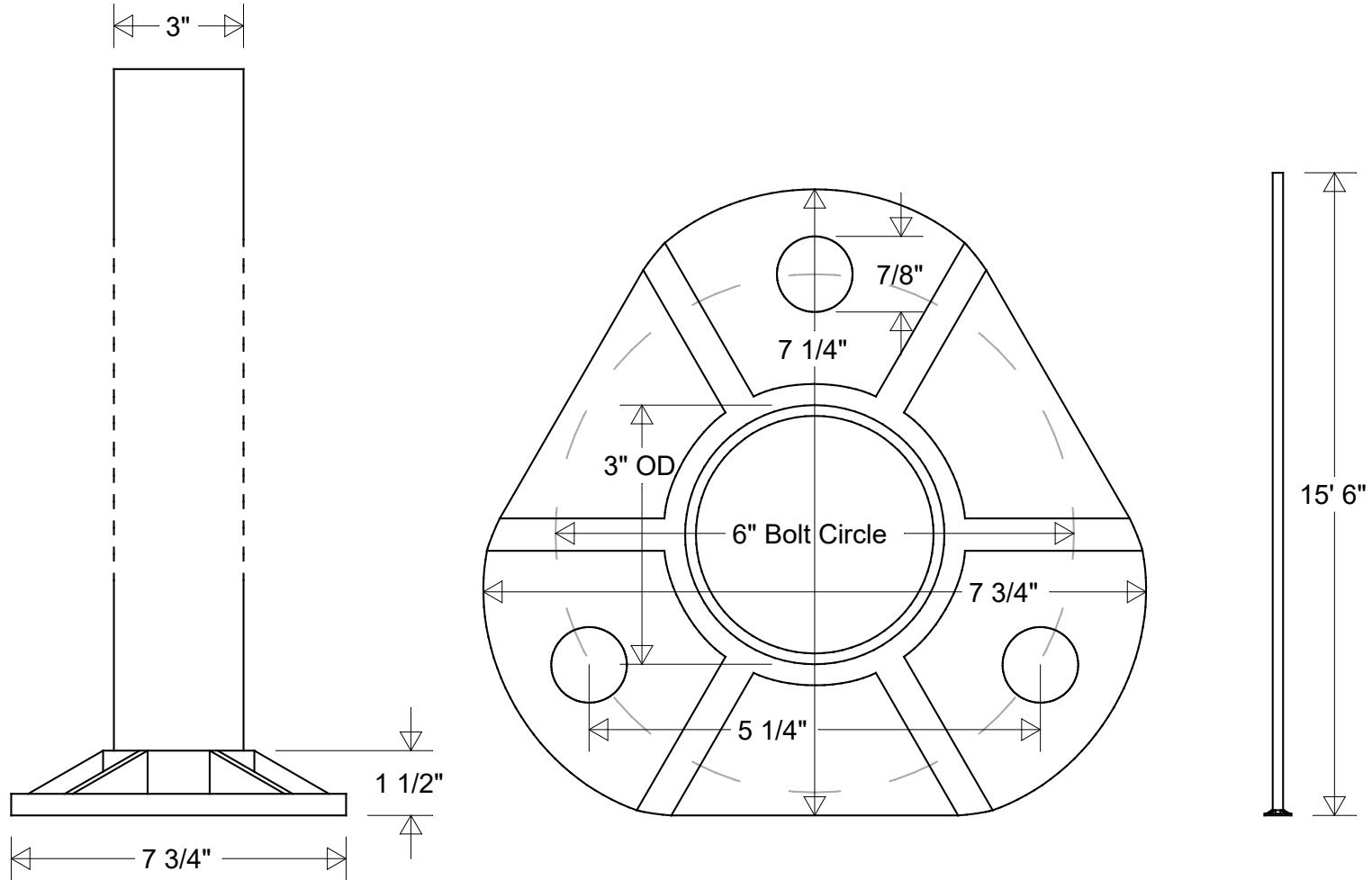


# Primelite Manufacturing Corp

407 S Main St, Freeport, NY 11520

Phone: 516-868-4411 | Fax: 516-868-4609  
 sales@primelite-mfg.com | www.primelite-mfg.com

PART # #6136 SB Special	LAMP N/A	VOLTAGE N/A	COLOR Powder Coated Paint
JOB NAME			TYPE Shoe Base Pole



Lamp: N/A	Initials	Date	<b>Post #6136 SB Special</b>			
	Drawn	CB				11/2022
	Checked			3" Dia   15' 6" H   .125 Gauge Aluminum 6" Bolt Circle   7/8" Bolts x3		
	ENG Appr.					
Construction: Aluminum	MFR Appr.		Size	Drawing No.	Rev	
	QA		<b>A</b>	<b>0001</b>	<b>A</b>	
Unless Otherwise Specified: Dimensions in Inches	Weight:		Scale	CAD File	Sheet	
					<b>1 of 1</b>	

Revisions				
Zone	Rev	Description	Date	Appr