



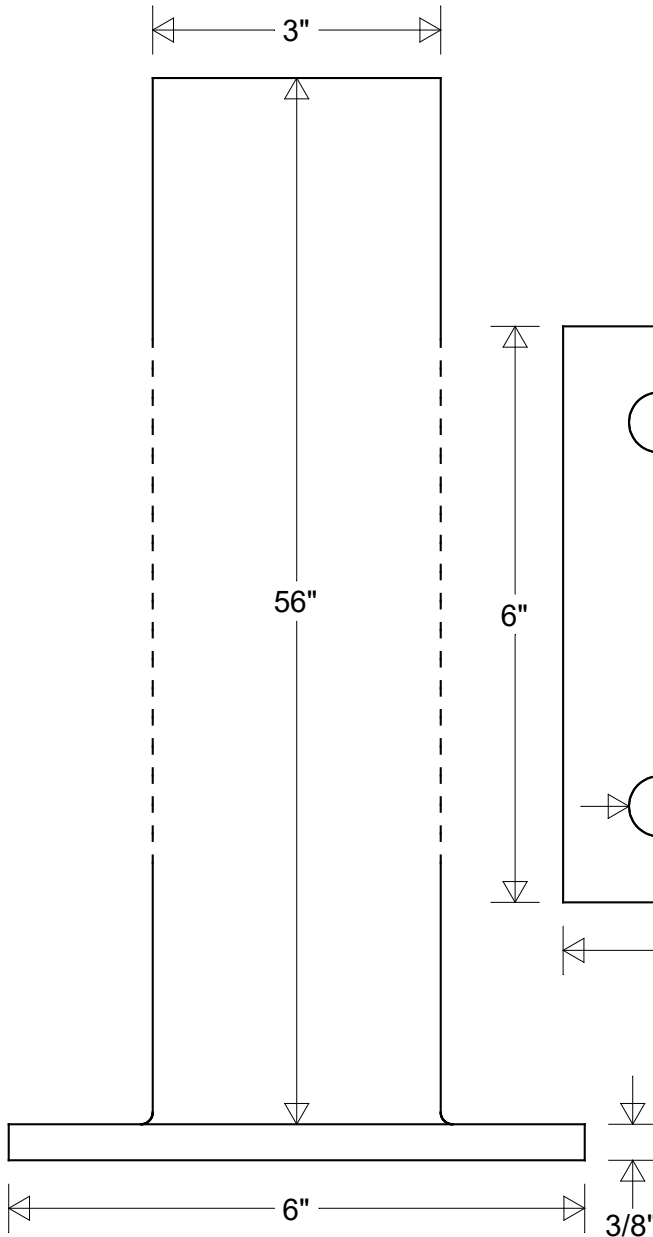
# Primelite Manufacturing Corp

407 S Main St, Freeport, NY 11520

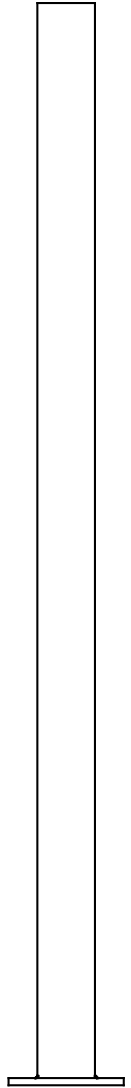
Phone: 516-868-4411 | Fax: 516-868-4609  
 sales@primelite-mfg.com | www.primelite-mfg.com

PART # #6107 SB	LAMP N/A	VOLTAGE N/A	COLOR Powder Coated Paint
JOB NAME			TYPE Post

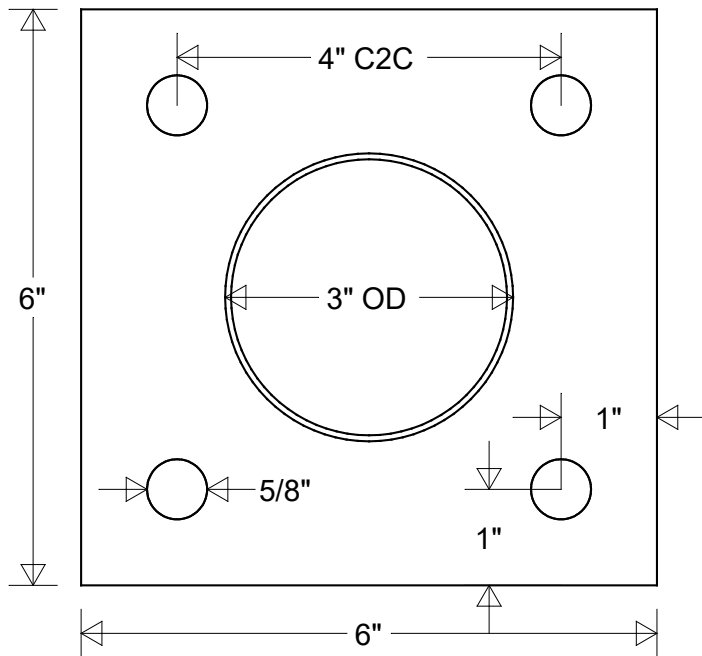
## CLOSE UP VIEW



## SCALED VIEW



## TOP VIEW



Lamp: N/A	Name	Date	<b>Post #6107 SB Special</b>			Revisions					
	Drawn	CB				10/2021	Zone	Rev	Description	Date	Approved
	Checked			3" Dia   56" H   6" Square Shoe Base							
	ENG Appr.			Size	Drawing No.	Rev					
Construction: Aluminum	MFR Appr.			<b>A</b>	<b>0001</b>	<b>A</b>					
Unless Otherwise Specified: Dimensions in Inches	QA			Scale	CAD File	Sheet	<b>1 of 1</b>				
	Weight										