

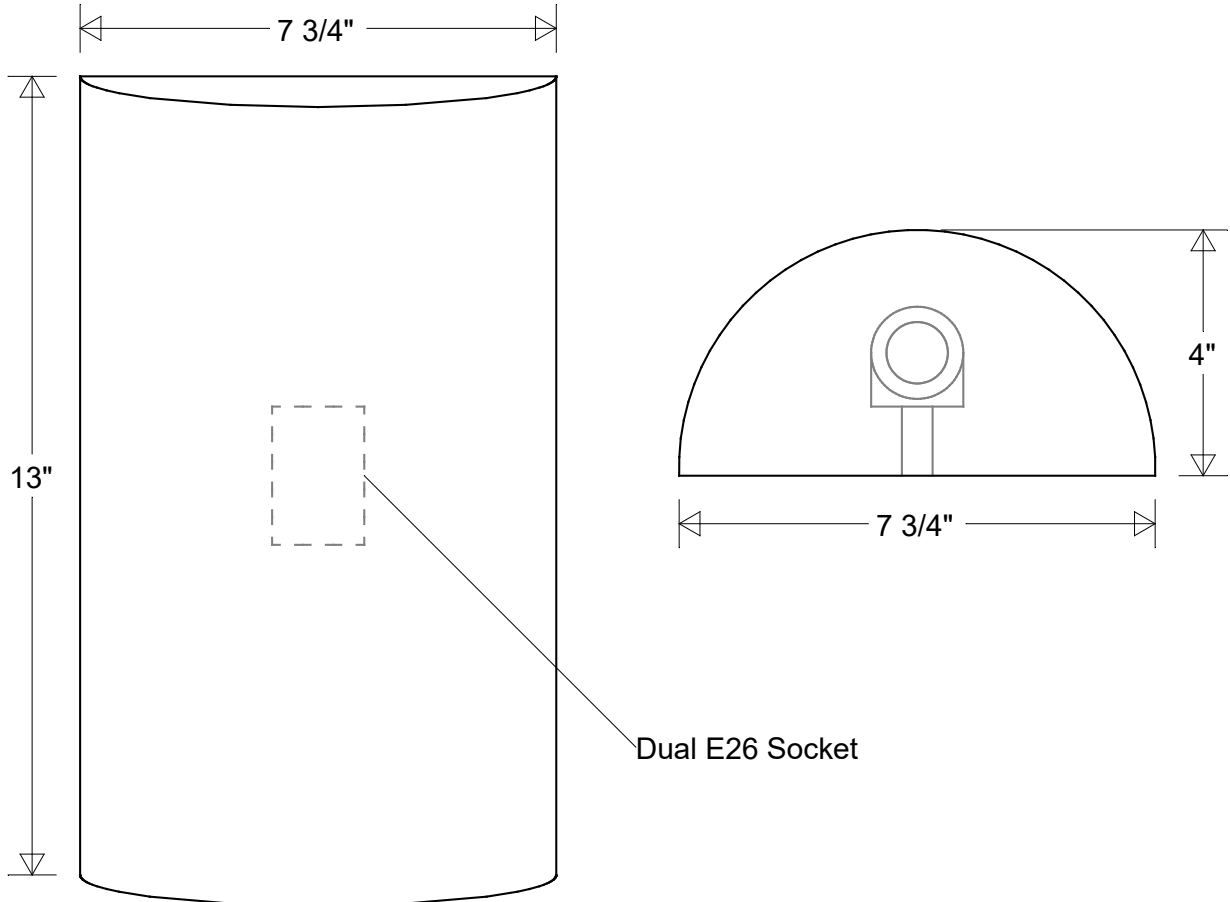


# Primelite Manufacturing Corp


407 S Main St, Freeport, NY 11520

Phone: 516-868-4411 | Fax: 516-868-4609  
 sales@primelite-mfg.com | www.primelite-mfg.com

|                       |                                |                         |                                     |
|-----------------------|--------------------------------|-------------------------|-------------------------------------|
| <b>PART #</b><br>#606 | <b>LAMP</b><br>Dual E26 Socket | <b>VOLTAGE</b><br>120 V | <b>COLOR</b><br>Powder Coated Paint |
| <b>JOB NAME</b>       |                                |                         | <b>TYPE</b><br>Wall Sconce          |



Dual E26 Socket

|   |                           |             |                                 |                  |                    |                    |             |             |
|---|---------------------------|-------------|---------------------------------|------------------|--------------------|--------------------|-------------|-------------|
| <b>Lamp: Dual E26 Socket</b><br>Max Wattage: 60 W Each<br> | <b>Initials</b>           | <b>Date</b> | <b>Wall Sconce #606 Special</b> |                  |                    |                    |             |             |
|   | Drawn                     | CB          |                                 |                  |                    |                    |             | 01/2023     |
|   | 7 3/4" W   13" H   4" Ext |             |                                 | <b>Revisions</b> |                    |                    |             |             |
| <b>Construction:</b><br>Aluminum  | Checked                   |             |                                 | <b>Zone</b>      | <b>Rev</b>         | <b>Description</b> | <b>Date</b> | <b>Appr</b> |
|   | ENG Appr.                 |             |                                 |                  |                    |                    |             |             |
| <b>Unless Otherwise Specified:</b><br>Dimensions in Inches  | MFR Appr.                 |             |                                 | <b>Size</b>      | <b>Drawing No.</b> | <b>Rev</b>         |             |             |
|   | QA                        |             |                                 | <b>A</b>         | <b>0001</b>        | <b>A</b>           |             |             |
|   | <b>Weight:</b>            |             |                                 | <b>Scale</b>     | <b>CAD File</b>    | <b>Sheet</b>       |             |             |
|   |                           |             |                                 |                  |                    | <b>1 of 1</b>      |             |             |