



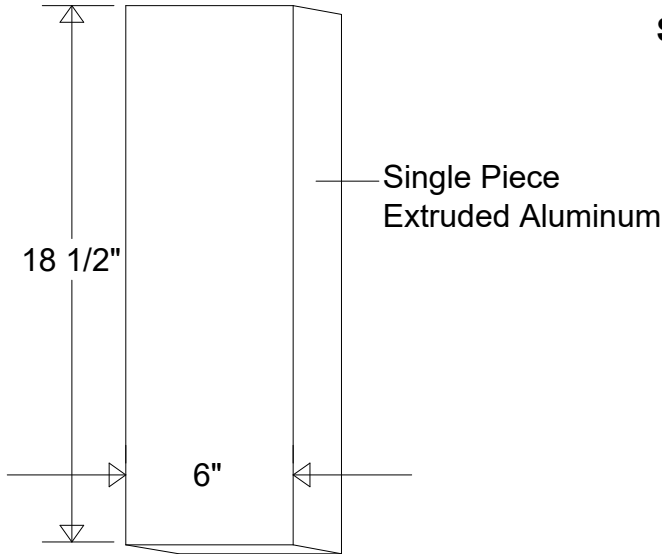
Primelite Manufacturing Corp

407 S Main St, Freeport, NY 11520

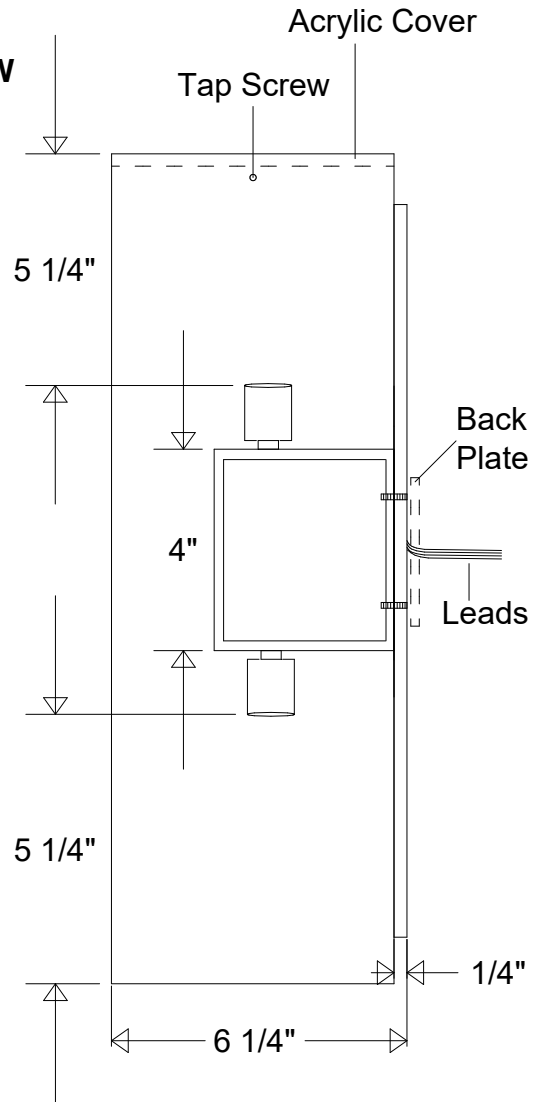
Phone: 516-868-4411 | Fax: 516-868-4609
 sales@primelite-mfg.com | www.primelite-mfg.com

PART # #6/622E	LAMP Incandescent	VOLTAGE 120 V	COLOR Powder Coated Paint
JOB NAME			TYPE Wall Sconce

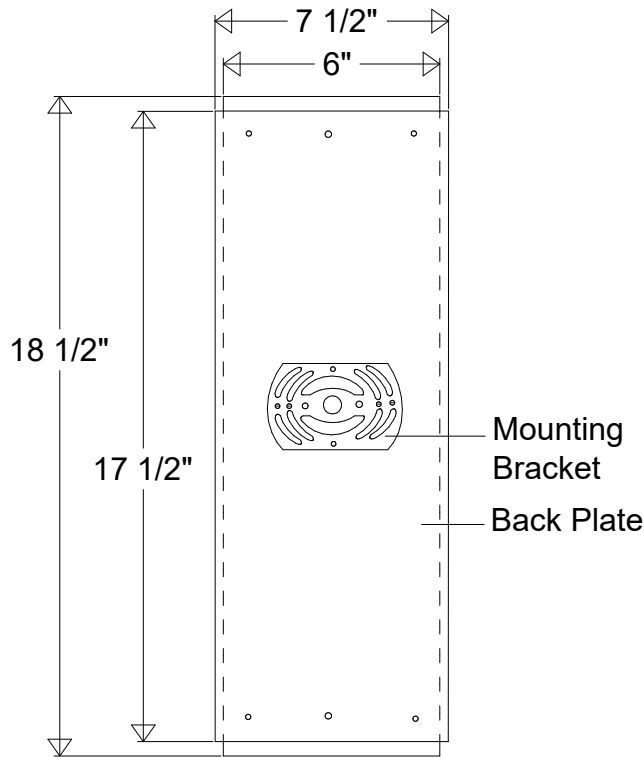
FRONT VIEW



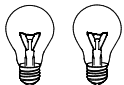
SIDE VIEW



BACK VIEW



Lamp: Incandescent
 Max Wattage: 2/150A



Construction: Aluminum | Acrylic

Unless Otherwise Specified:
 Dimensions in Inches

Name

Date

Drawn CB 5/2020

Checked

ENG Appr.

MFR Appr.

QA

Weight

Wall Sconce #6/622E Special

6" W | 18 1/2" H | 6 1/4" Ext
 Acrylic Cover

Size
A

Drawing No.
0001

Rev
A

Scale

CAD File

Sheet

1 of 1

Revisions

Zone	Rev	Description	Date	Approved