

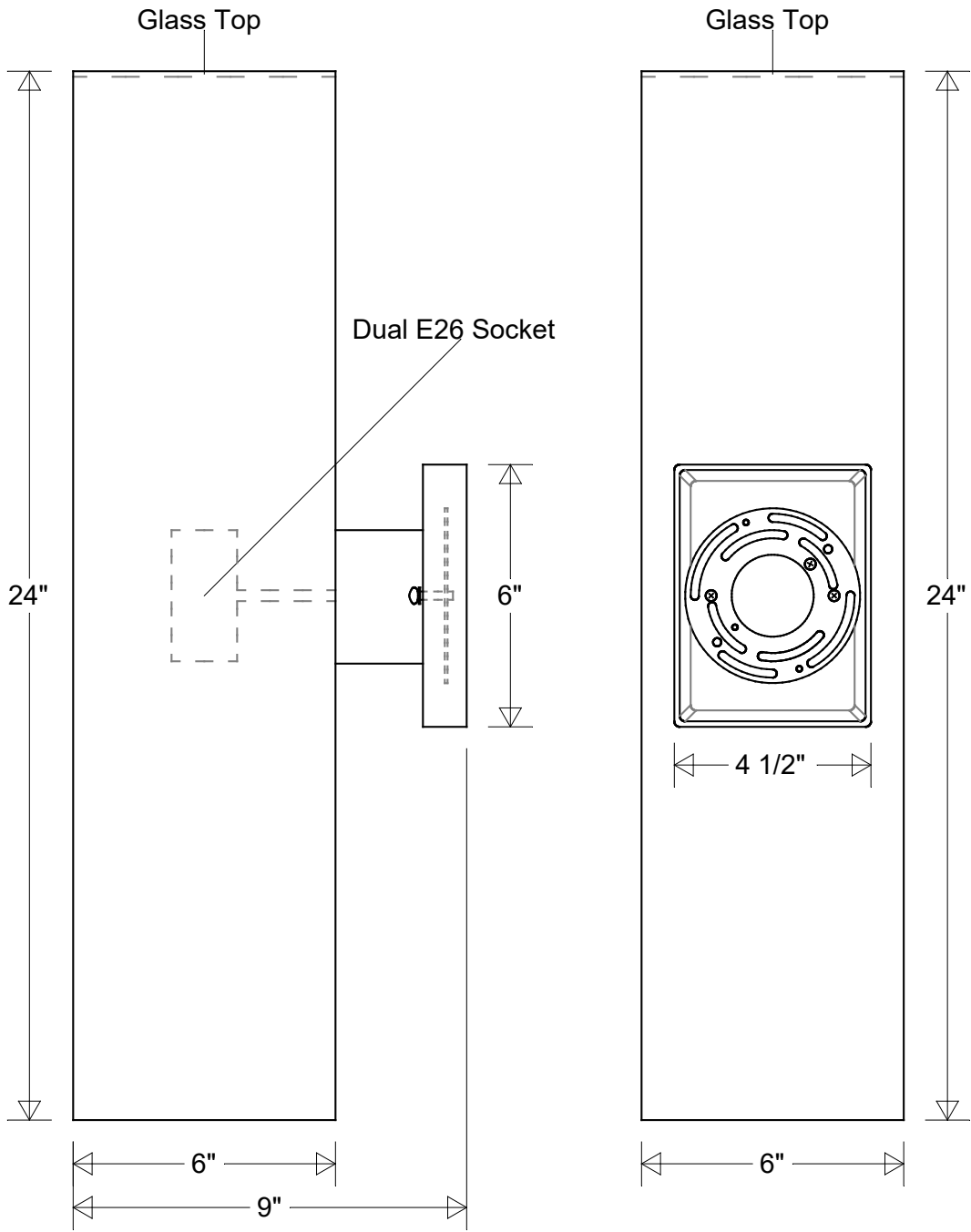



Primelite Manufacturing Corp

407 S Main St, Freeport, NY 11520

Phone: 516-868-4411 | Fax: 516-868-4609
 sales@primelite-mfg.com | www.primelite-mfg.com

PART # #6/622E	LAMP E26 Socket	VOLTAGE 120 V	COLOR Powder Coated Paint
JOB NAME			TYPE Wall Sconce



Lamp: E26 Socket x2 Max Wattage/Socket: 150 W 	Name		Date		Wall Sconce #6/622E Special 6" W 24" H 9" Ext	Revisions					
	Drawn	CB	10/2021			Zone	Rev	Description	Date	Approved	
	Checked										
	ENG Appr.			Size	Drawing No.	Rev					
Construction: Aluminum Glass	QA			A	0001	A					
Unless Otherwise Specified: Dimensions in Inches	Weight		Scale	CAD File	Sheet	1 of 1					