

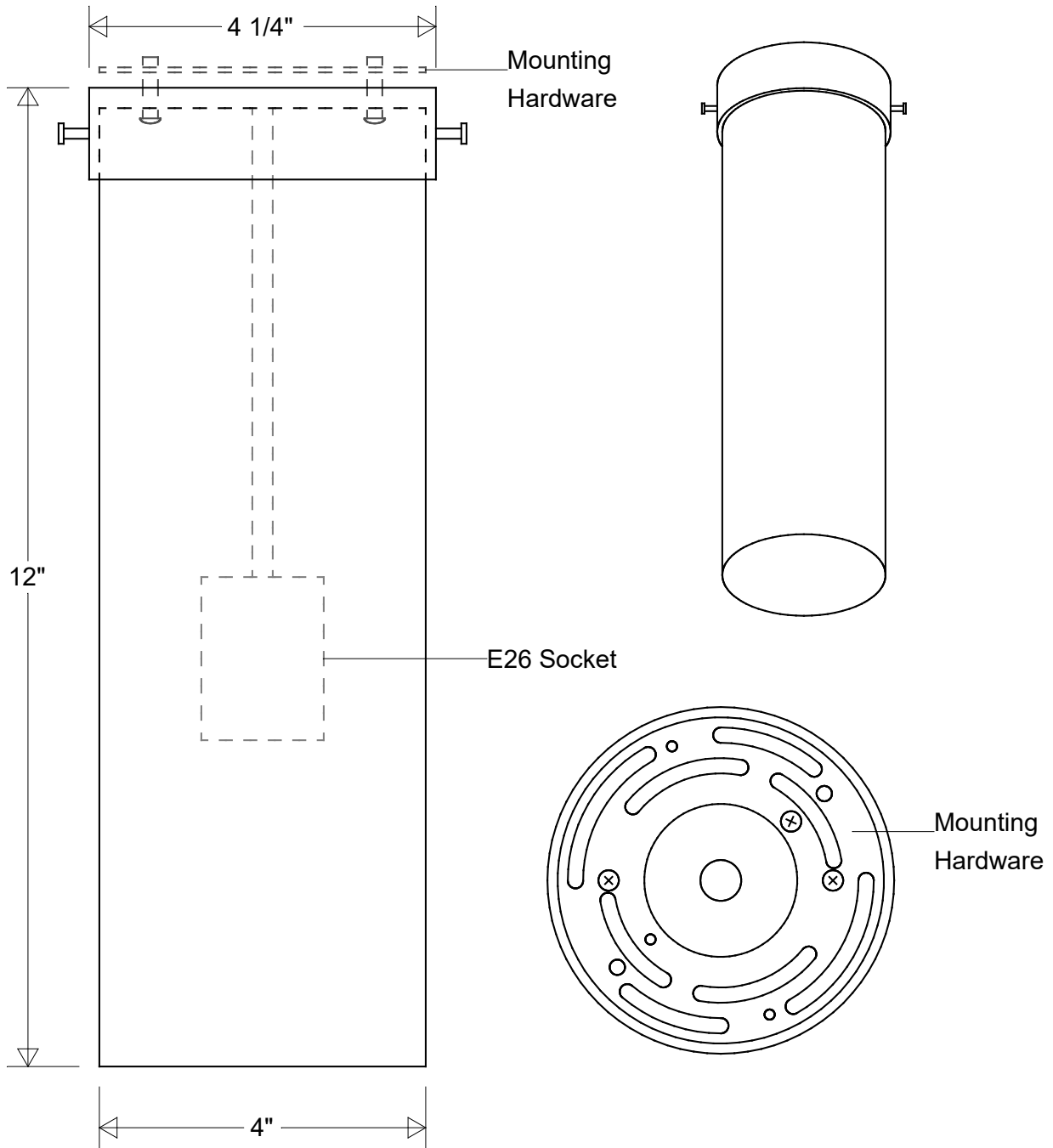



Primelite Manufacturing Corp

407 S Main St, Freeport, NY 11520

Phone: 516-868-4411 | Fax: 516-868-4609
 sales@primelite-mfg.com | www.primelite-mfg.com

PART # #58F Special	LAMP E26 Socket	VOLTAGE 120 V	COLOR Powder Coated Paint
JOB NAME			TYPE Ceiling Flush



Lamp: E26 Socket Max Wattage: 75 W 	Initials	Date	Ceiling Flush #58F Special																																
	Drawn	CB						08/2022																											
	Checked			4" Dia 12" H 4 1/4" Dia Canopy																															
ENG Appr.																																			
Construction: Aluminum	MFR Appr.		Size	Drawing No.	Rev	<table border="1"> <thead> <tr> <th colspan="5">Revisions</th> </tr> <tr> <th>Zone</th> <th>Rev</th> <th>Description</th> <th>Date</th> <th>Appr</th> </tr> </thead> <tbody> <tr> <td> </td> <td> </td> <td> </td> <td> </td> <td> </td> </tr> <tr> <td> </td> <td> </td> <td> </td> <td> </td> <td> </td> </tr> <tr> <td> </td> <td> </td> <td> </td> <td> </td> <td> </td> </tr> </tbody> </table>					Revisions					Zone	Rev	Description	Date	Appr															
	Revisions																																		
Zone	Rev	Description	Date	Appr																															
QA			A	0001	A																														
Unless Otherwise Specified: Dimensions in Inches	Weight:		Scale	CAD File	Sheet	1 of 1																													