

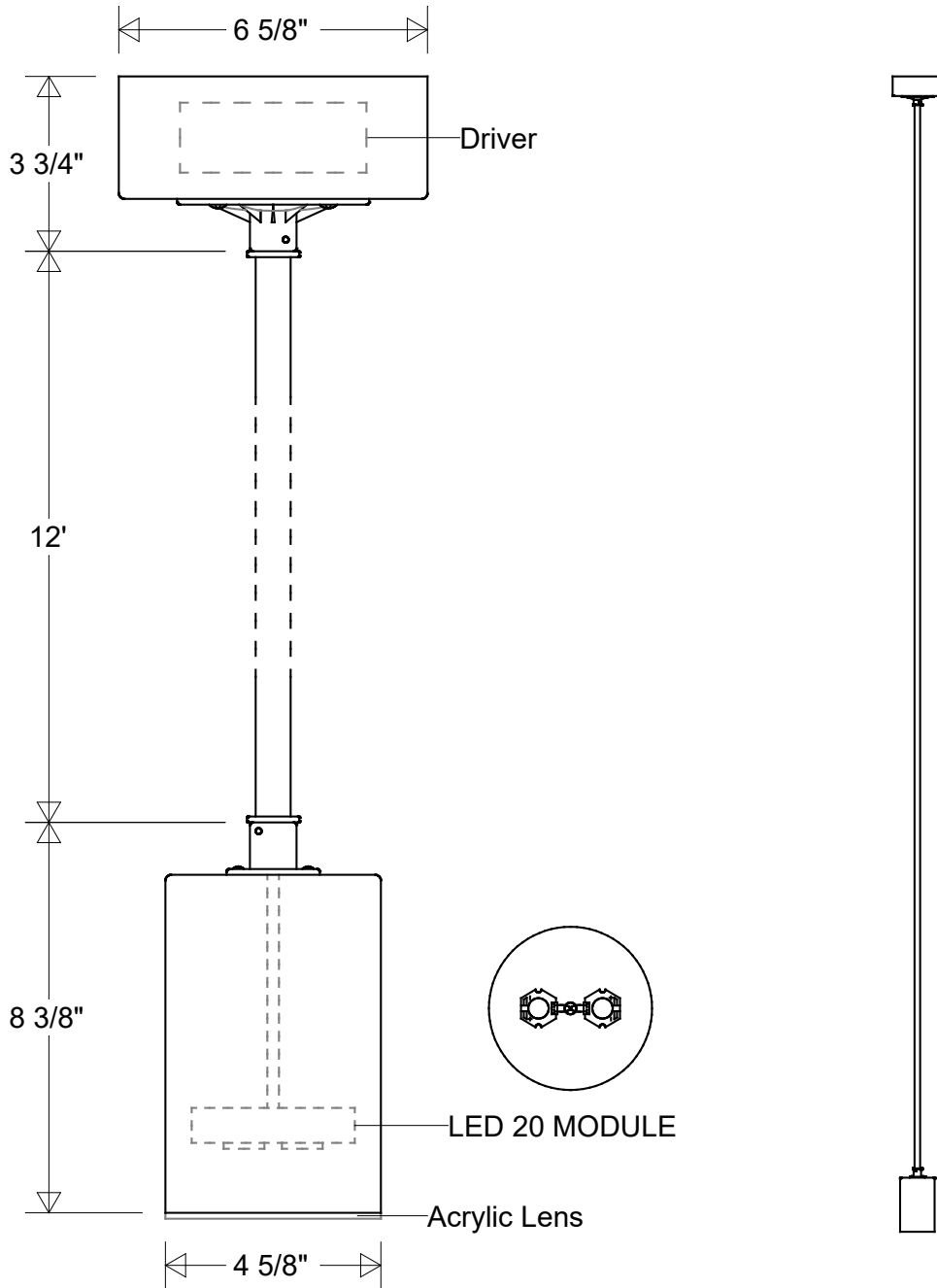


# Primelite Manufacturing Corp

407 S Main St, Freeport, NY 11520

Phone: 516-868-4411 | Fax: 516-868-4609  
 sales@primelite-mfg.com | www.primelite-mfg.com

<b>PART #</b> #58/18 12' Stem	<b>LAMP</b> LED 20	<b>VOLTAGE</b> 120-277 V	<b>COLOR</b> Powder Coated Paint
<b>JOB NAME</b>			<b>TYPE</b> Pendant



**Lamp: LED 20 (2 X LED 10)**

50 W MH Equivalent  
 3.0K = 3282 Lumens  
 3.5K = 3360 Lumens  
 4.0K = 3378 Lumens



	<b>Initials</b>	<b>Date</b>
<b>Drawn</b>	CB	04/2023
<b>Checked</b>		
<b>ENG Appr.</b>		
<b>MFR Appr.</b>		
<b>QA</b>		

## #58/18 12' Stem LED 20

4 5/8" Dia | 12' x 1/2" IPS Stem  
 Clear Acrylic Lens

<b>Size</b>	<b>Drawing No.</b>	<b>Rev</b>
<b>A</b>	<b>0001</b>	<b>A</b>

**Unless Otherwise Specified:**  
 Dimensions in Inches

<b>Weight:</b>	<b>Scale</b>	<b>CAD File</b>	<b>Sheet</b>
			<b>1 of 1</b>

Revisions				
Zone	Rev	Description	Date	Appr