

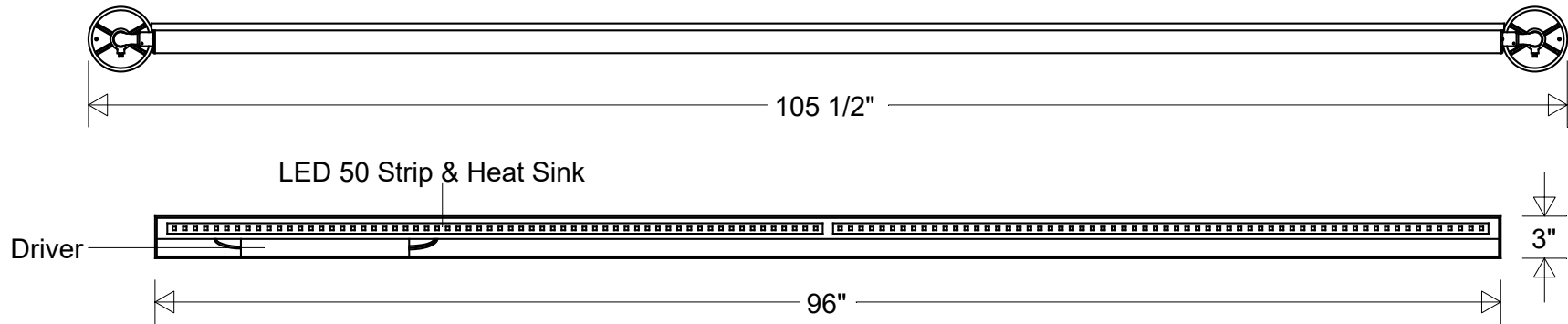
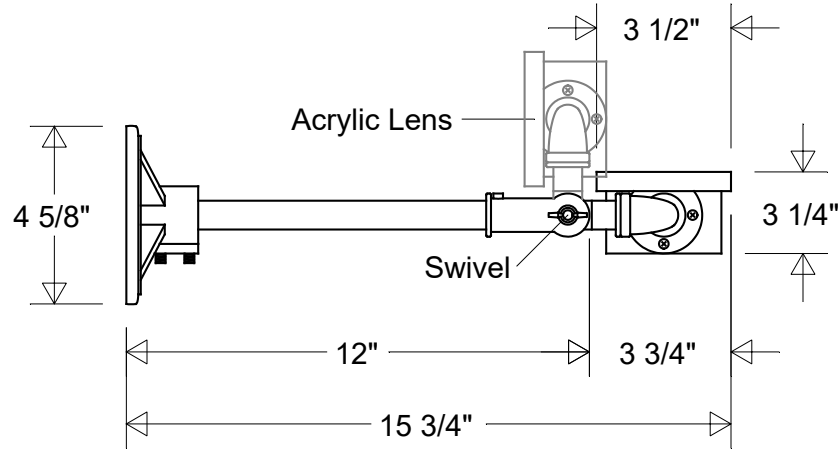



Primelite Manufacturing Corp

407 S Main St, Freeport, NY 11520

Phone: 516-868-4411 | Fax: 516-868-4609
 sales@primelite-mfg.com | www.primelite-mfg.com

PART # #5751/855-11 ESW Special	LAMP LED 50	VOLTAGE 120 - 277 V	COLOR Powder Coated Paint
JOB NAME			TYPE Linear Sign Light



Lamp: LED 50 Strip 35K = 7795 Lumens 5K = 7795 Lumens 	Initials	Date	<h2>#5751/855-11 ESW LED 50 Special Up Light</h2>		<table border="1"> <thead> <tr> <th colspan="5">Revisions</th> </tr> <tr> <th>Zone</th> <th>Rev</th> <th>Description</th> <th>Date</th> <th>Appr</th> </tr> </thead> <tbody> <tr><td> </td><td> </td><td> </td><td> </td><td> </td></tr> <tr><td> </td><td> </td><td> </td><td> </td><td> </td></tr> <tr><td> </td><td> </td><td> </td><td> </td><td> </td></tr> <tr><td> </td><td> </td><td> </td><td> </td><td> </td></tr> </tbody> </table>					Revisions					Zone	Rev	Description	Date	Appr																				
	Revisions																																						
	Zone	Rev	Description	Date	Appr																																		
Drawn	CB	10/2023	105 1/2" L 15 3/4" Ext 4 5/8" H 100 7/8" Center to Center Arms Acrylic Lens: White (-3) Clear (-4)																																				
Checked			Size	Drawing No.	Rev																																		
ENG Appr.			A	0001	A																																		
Construction: Aluminum Acrylic	MFR Appr.		Scale	CAD File	Sheet																																		
Unless Otherwise Specified: Dimensions in Inches	QA				1 of 1																																		
Weight:																																							