

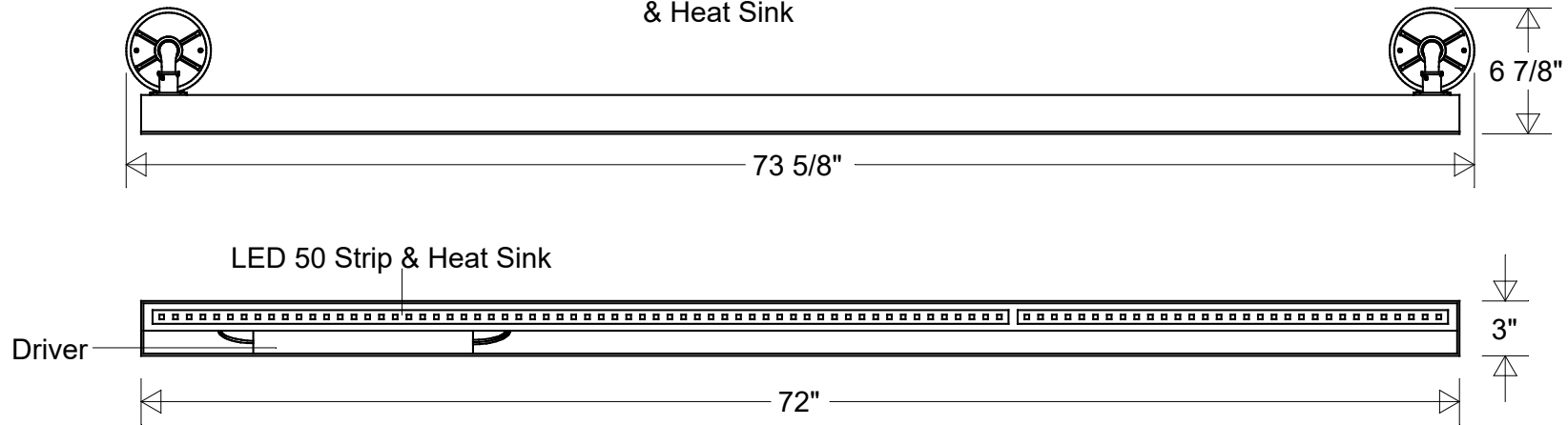
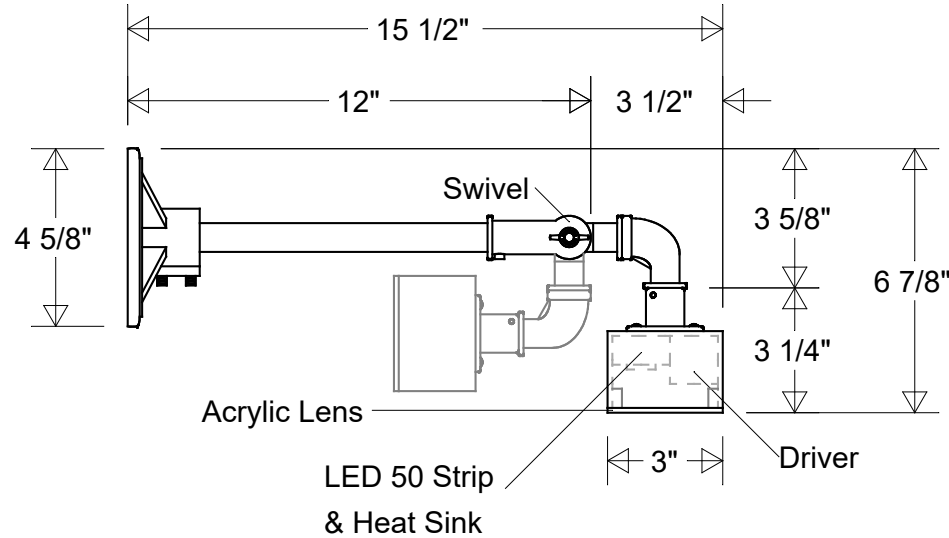


# Primelite Manufacturing Corp

407 S Main St, Freeport, NY 11520

Phone: 516-868-4411 | Fax: 516-868-4609  
 sales@primelite-mfg.com | www.primelite-mfg.com

PART # #5751/855-11 ESW LED 50 Special	LAMP Built-In LED	VOLTAGE 120 - 277 V	COLOR Powder Coated Paint
JOB NAME			TYPE Linear Sign Light



Lamp: LED 50 Strip  
 35K = 7795 Lumens  
 5K = 7795 Lumens



Construction:  
 Aluminum | Acrylic

Unless Otherwise Specified:  
 Dimensions in Inches

	Initials	Date
Drawn	CB	03/2023
Checked		
ENG Appr.		
MFR Appr.		
QA		

## #5751/855-11 ESW LED 50 Special

73 5/8" L | 15 1/2" Ext | 6 7/8" H | 69" Center to Center Arms

Acrylic Lens: White (-3) | Clear (-4) | Frosted (-5)

Size	Drawing No.	Rev
<b>A</b>	<b>0001</b>	<b>A</b>

Scale	CAD File	Sheet
		<b>1 of 1</b>

Revisions				
Zone	Rev	Description	Date	Appr