

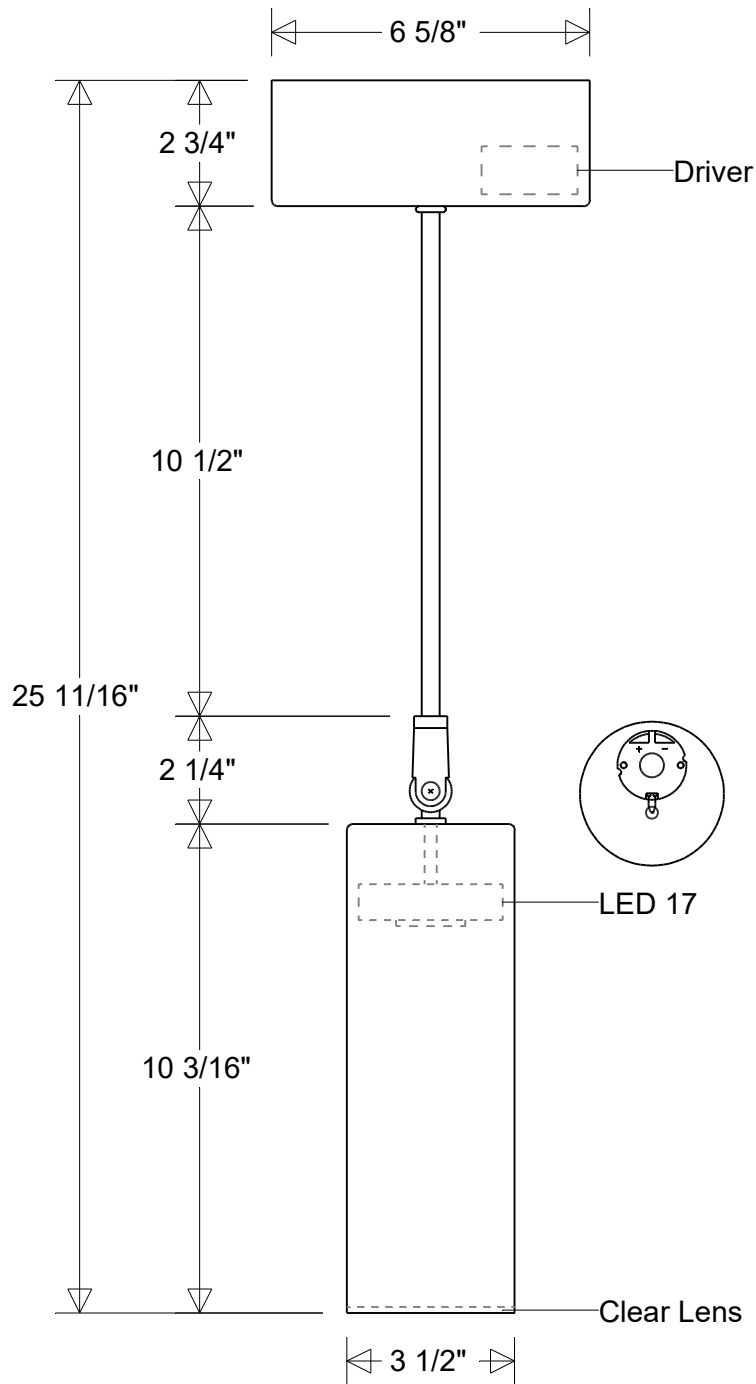


Primelite Manufacturing Corp.

407 S Main St, Freeport, NY 11520
 Phone: (516) 868-4411 | Fax: (516) 868-4609
 sales@primelite-mfg.com | www.primelite-mfg.com

PROUDLY MADE IN THE USA SINCE 1962!
"SPECIALTIES ARE OUR SPECIALTY!"

Job Info



#57 S LED 17 Special

3 1/2" Dia | 25 11/16" H | 12" X 1/8" IPS Stem
 Swivel | Clear Lens

Lamp: 17 W LED
 3K: 2980 Lumens
 4K: 3068 Lumens

Voltage:
 120-277 V

Finish:
 29 Oven Baked
 Powder Coated Paints

Material:
 Aluminum | Steel

Drawn:
 CB
 01/2025

Note:
 All dimensions are nominal.
 Actual dimensions may vary.

Scale:
 1/4

Approvals