

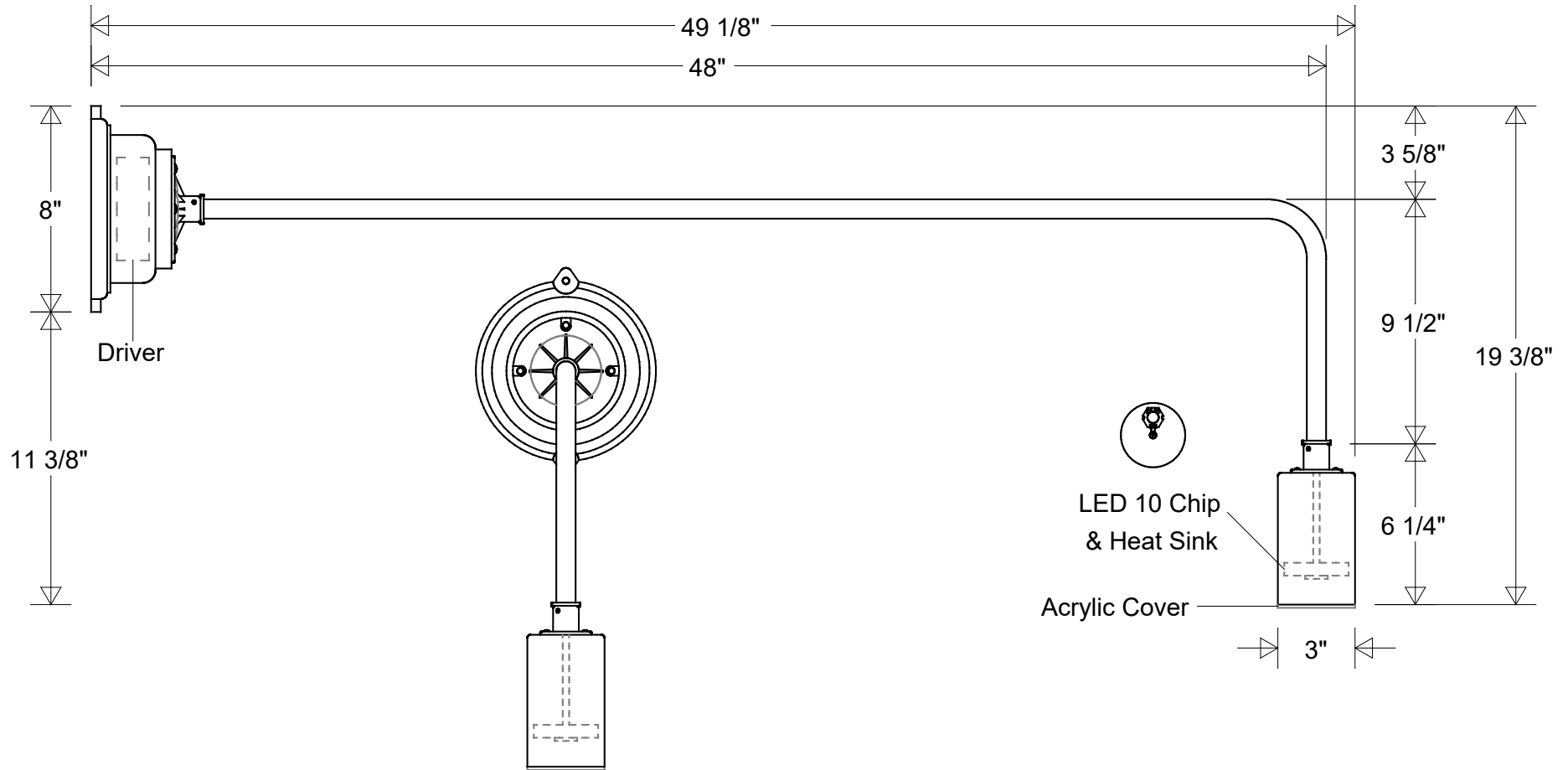


Primelite Manufacturing Corp

407 S Main St, Freeport, NY 11520

Phone: 516-868-4411 | Fax: 516-868-4609
 sales@primelite-mfg.com | www.primelite-mfg.com

PART # #57/870 LED 10 Special	LAMP Built-In LED	VOLTAGE 120 V	COLOR Powder Coated Paint
JOB NAME			TYPE Gooseneck



Lamp: LED 10 Chip 100 W Inc Equivalent 3K = 1265 Lumens 4K = 1275 Lumens Dimmable	Initials	Date	Gooseneck #57/870 LED 10 Special		
	Drawn	CB			07/2022
	Checked			3" Dia 49 1/8" Ext 19 3/8" H 48" Arm Ext	
	ENG Appr.			9 1/2" Drop 11 3/8" Below Box Clear Acrylic Cover	
Construction: Aluminum Acrylic	MFR Appr.		Size	Drawing No.	Rev
	QA		A	0001	A
Unless Otherwise Specified: Dimensions in Inches	Weight:		Scale	CAD File	Sheet
					1 of 1

Revisions				
Zone	Rev	Description	Date	Appr