

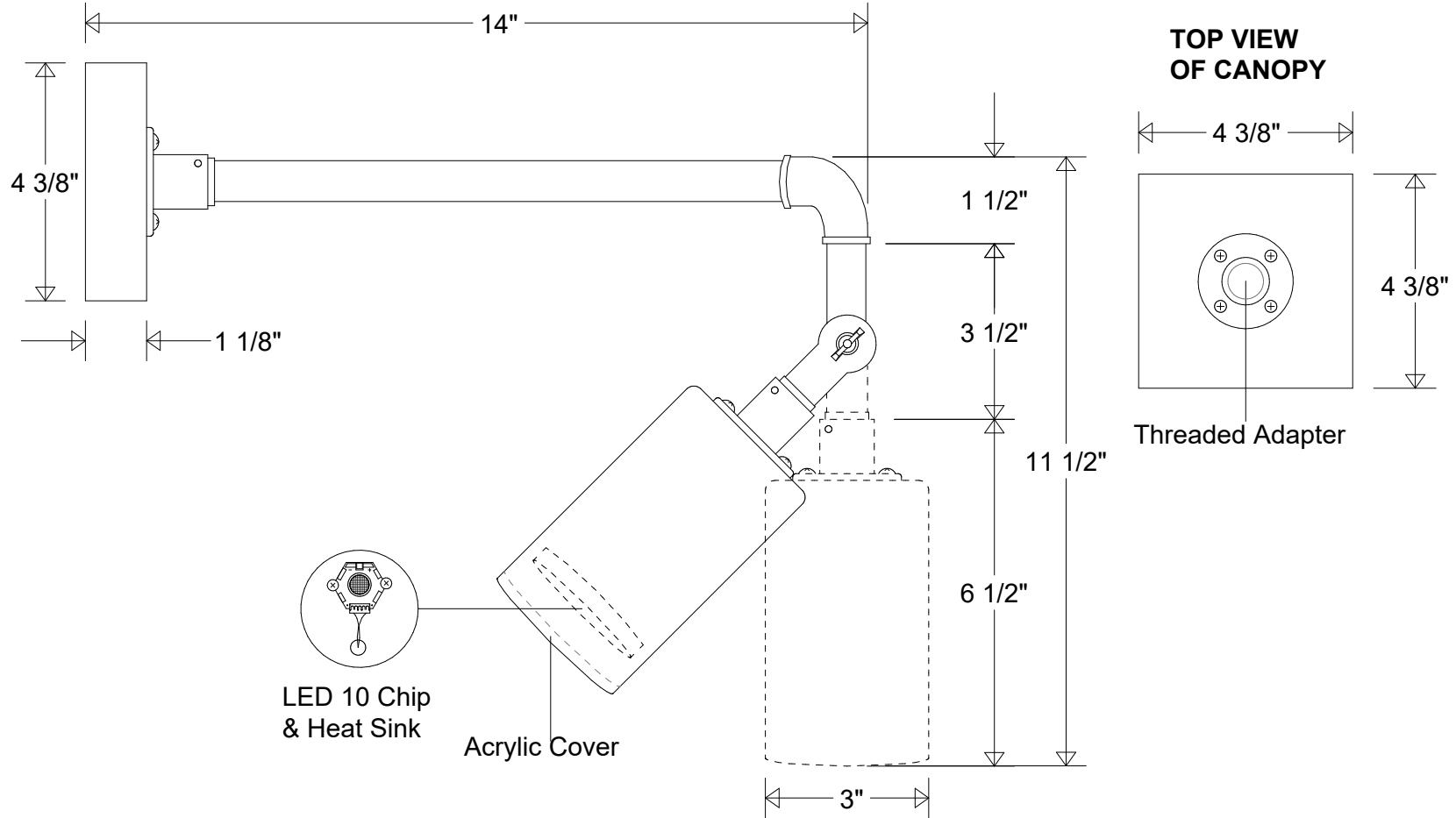


Primelite Manufacturing Corp

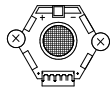
407 S Main St, Freeport, NY 11520

Phone: 516-868-4411 | Fax: 516-868-4609
 sales@primelite-mfg.com | www.primelite-mfg.com

PART # #57/855 ESW	LAMP Built-In LED	VOLTAGE 120 V	COLOR Powder Coated Paint
JOB NAME			TYPE Gooseneck



Lamp: LED 10 Chip
 1275 Lumens | 100 W Inc Equivalent



Name Date

Drawn CB 01/2021

Checked

ENG Appr.

MFR Appr.

QA

Weight

Gooseneck #57/855 ESW LED 10 Special

3" Dia | 14" Ext | 11 1/2" H | Adjustable Swivel | Acrylic Cover
 Remote Driver Supplied | Driver Housing Not Supplied

Size Drawing No. Rev
A 0001 A

Scale CAD File Sheet
1 of 1

Revisions				
Zone	Rev	Description	Date	Approved