



Primelite Manufacturing Corp

407 S Main St, Freeport, NY 11520

Phone: 516-868-4411 | Fax: 516-868-4609

sales@primelite-mfg.com | www.primelite-mfg.com

PART #

#57/1856-ESW

LAMP

Incandescent

VOLTAGE

120 V

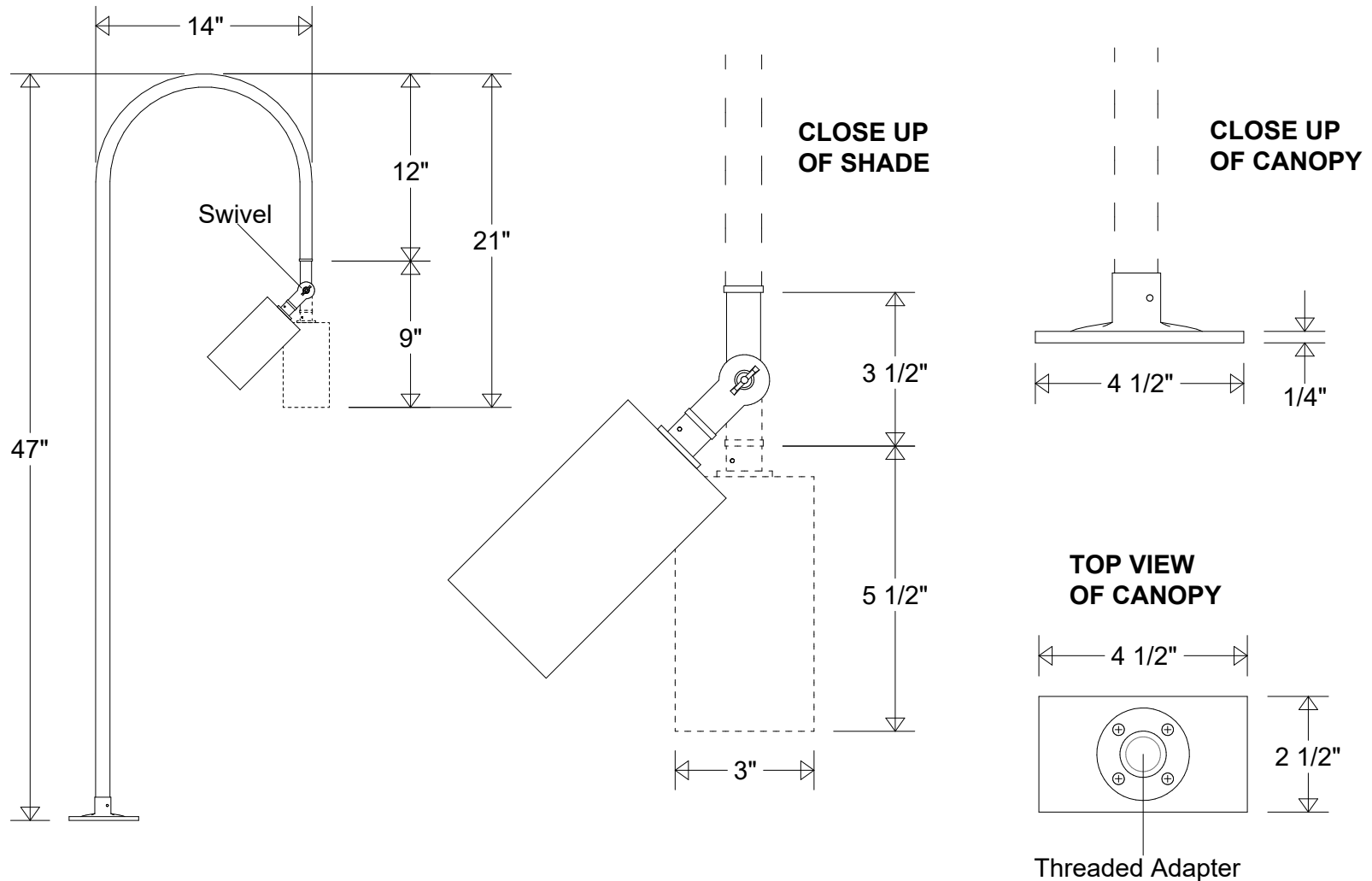
COLOR

Powder Coated Paint

JOB NAME

TYPE

Gooseneck



Lamp: Incandescent
 Max Wattage: 1/60A



Name

Date

Gooseneck #57/1856 ESW Special

Drawn CB 9/2020

Checked

3" Dia Can | 47" H | 14" Ext

ENG Appr.

12" Drop | 90 Degree Swivel

MFR Appr.

Size

Drawing No.

Rev

Construction: Aluminum

QA

A

0001

A

Unless Otherwise Specified:
 Dimensions in Inches

Weight

Scale

CAD File

Sheet

1 of 1

Revisions

Zone	Rev	Description	Date	Approved