

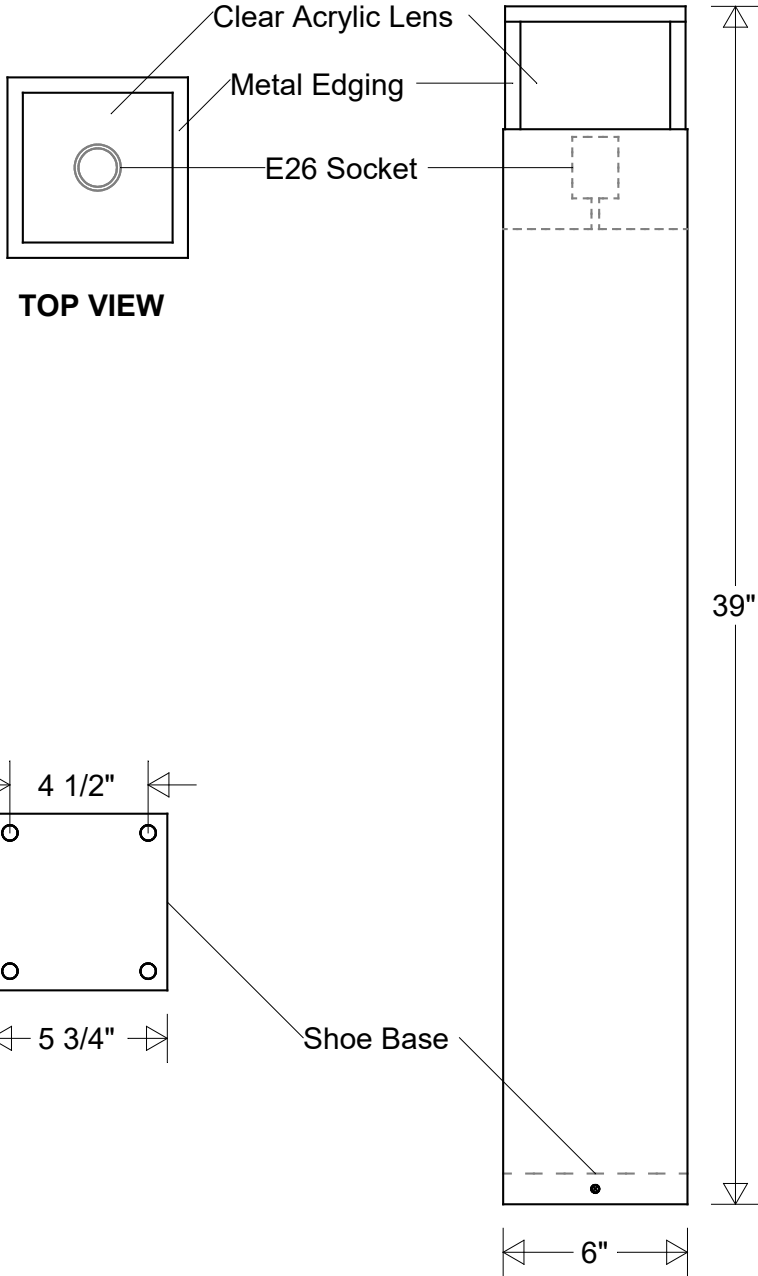



Primelite Manufacturing Corp

407 S Main St, Freeport, NY 11520

Phone: 516-868-4411 | Fax: 516-868-4609
 sales@primelite-mfg.com | www.primelite-mfg.com

PART # #5604/4 Special	LAMP E26 Socket	VOLTAGE 120 V	COLOR Powder Coated Paint
JOB NAME			TYPE Bollard



Lamp: E26 Socket Max Wattage: 100 W 	Initials	Date	<h2>Bollard #5604/4 Special</h2>							
	Drawn CB Checked ENG Appr.	12/2022						6" W 39" H Shoe Base Clear Acrylic Lens		
Construction: Aluminum Acrylic	MFR Appr.		Size	Drawing No.	Rev	Revisions				
	QA		A	0001	A	Zone	Rev	Description	Date	Appr
Unless Otherwise Specified: Dimensions in Inches	Weight:		Scale	CAD File	Sheet					
					1 of 1					