

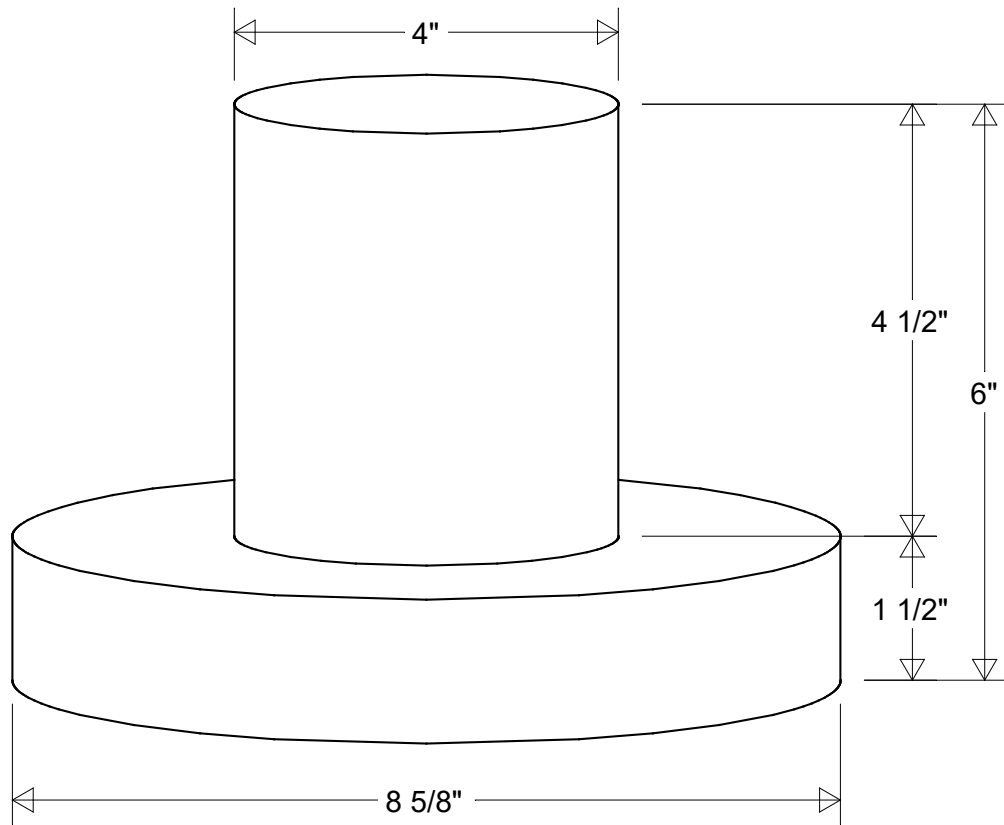


Primelite Manufacturing Corp

407 S Main St, Freeport, NY 11520

Phone: 516-868-4411 | Fax: 516-868-4609
 sales@primelite-mfg.com | www.primelite-mfg.com

PART # #5 Special	LAMP N/A	VOLTAGE N/A	COLOR Powder Coated Paint
JOB NAME			TYPE Pier Mount



Lamp: N/A	Name		Date		Pier Mount #5 Special								
	Drawn	CB	10/2021										
	Checked				8 5/8" Dia 6" H Fits 4" Post Lights								
	ENG Appr.												
	MFR Appr.												
Construction: Aluminum	QA				Size	Drawing No.	Rev	Revisions					
Unless Otherwise Specified: Dimensions in Inches	Weight		Scale	CAD File	Sheet	A	0001	A	Zone	Rev	Description	Date	Approved