

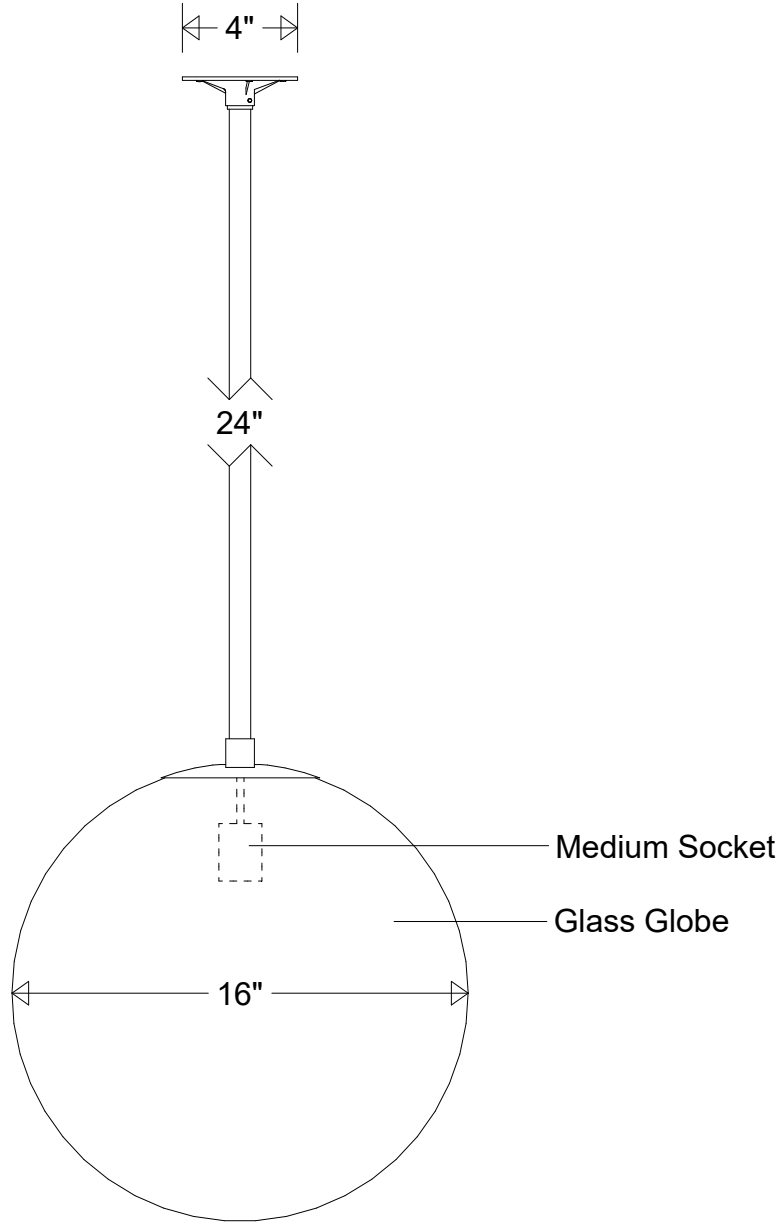



Primelite Manufacturing Corp

407 S Main St, Freeport, NY 11520

Phone: 516-868-4411 | Fax: 516-868-4609
 sales@primelite-mfg.com | www.primelite-mfg.com

PART # #446 S	LAMP Incandescent	VOLTAGE 120 V	COLOR Powder Coated Paint
JOB NAME			TYPE Pendant



Lamp: Incandescent Max Wattage: 1/200A 	Name	Date	Pendant #446 S			
	Drawn	CB				01/2021
	Checked			16" Dia 24" 1/2 IPS Stem Glass Globe Smoke White Clear		
	ENG Appr.					
	MFR Appr.			Size	Drawing No.	Rev
Construction: Aluminum Glass	QA		A	0001	A	
Unless Otherwise Specified: Dimensions in Inches	Weight		Scale	CAD File	Sheet 1 of 1	

Revisions				
Zone	Rev	Description	Date	Approved