

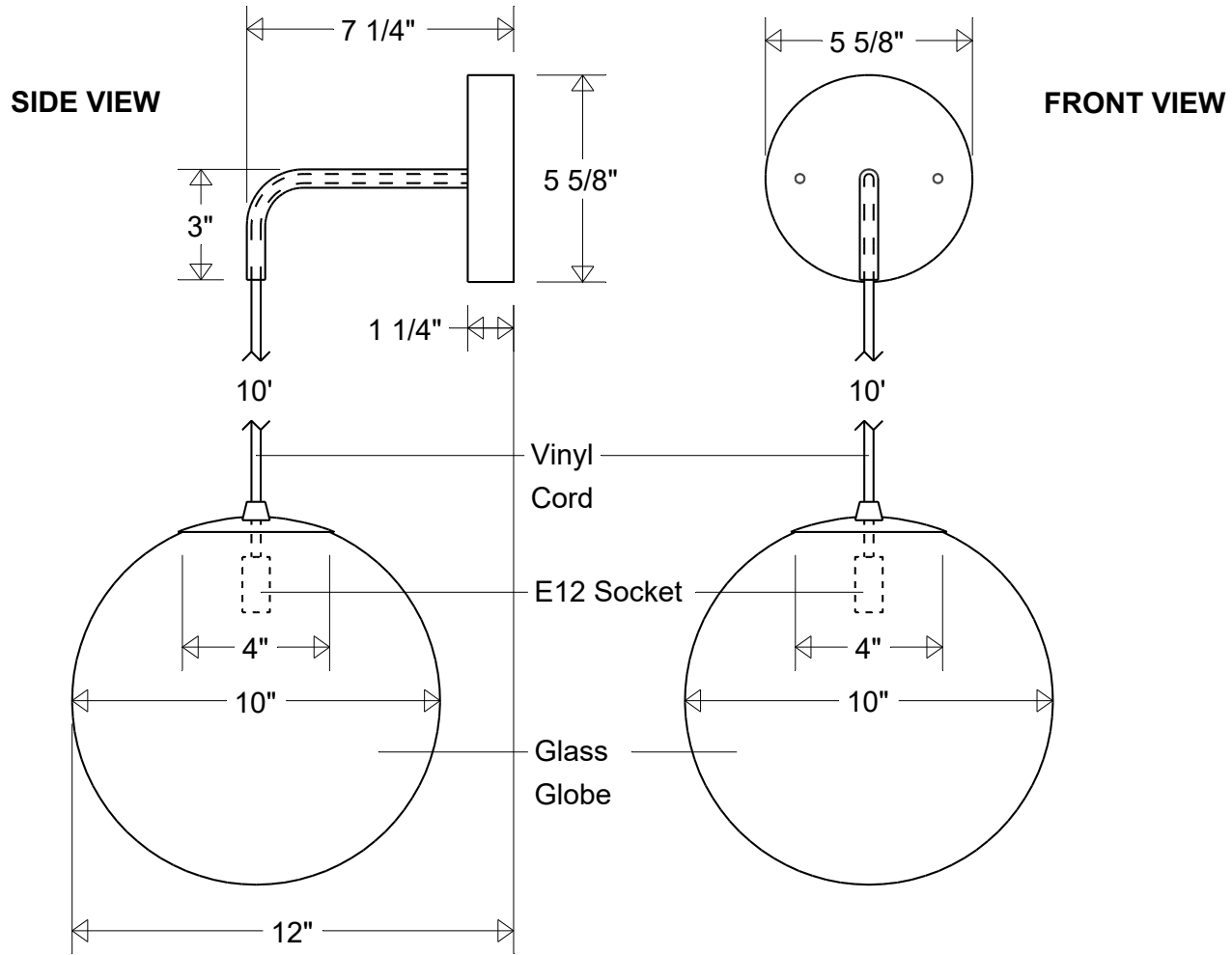



Primelite Manufacturing Corp

407 S Main St, Freeport, NY 11520

Phone: 516-868-4411 | Fax: 516-868-4609
 sales@primelite-mfg.com | www.primelite-mfg.com

PART # #440/614 Special	LAMP E12 Socket	VOLTAGE 120 V	COLOR Powder Coated Paint
JOB NAME			TYPE Wall Sconce



Lamp: E12 Socket Max Wattage: 1/75W 	Name	Date	<h2>Wall Sconce #440/614 Special</h2> <p>10" Dia 12" Ext 10' Vinyl Cord Glass Globe: Smoke (-1) White (-3) Clear (-4)</p>	
	Drawn	CB		07/2021
	Checked			
	ENG Appr.			
Construction: Aluminum Vinyl Glass	MFR Appr.			
Unless Otherwise Specified: Dimensions in Inches	QA			
Weight	Size	Drawing No.	Rev	
	A	0001	A	
	Scale	CAD File	Sheet	
			1 of 1	

Revisions				
Zone	Rev	Description	Date	Approved