

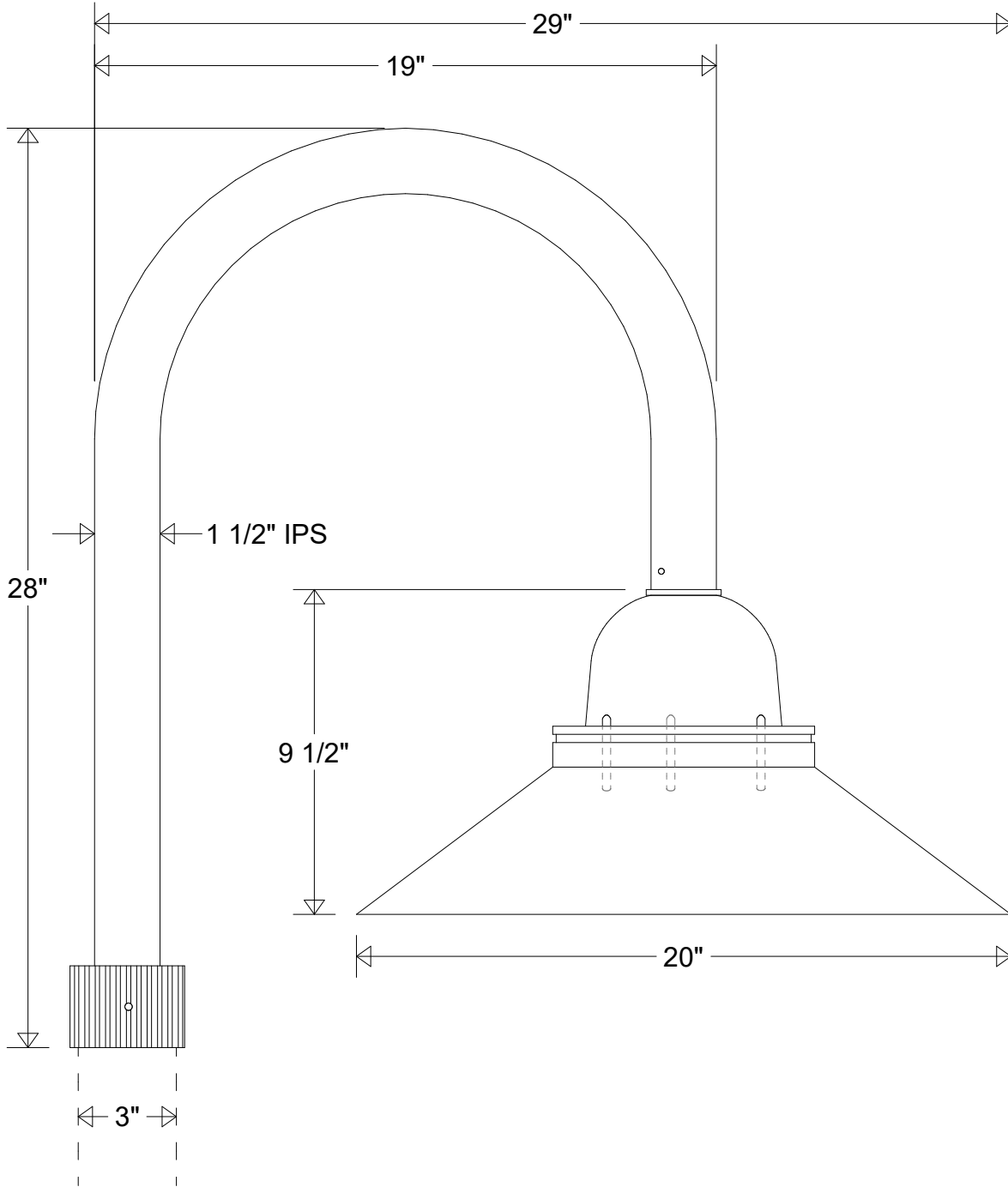



Primelite Manufacturing Corp

407 S Main St, Freeport, NY 11520

Phone: 516-868-4411 | Fax: 516-868-4609
 sales@primelite-mfg.com | www.primelite-mfg.com

PART # #423/20 -1962	LAMP Incandescent	VOLTAGE 120 V	COLOR Powder Coated Paint
JOB NAME			TYPE Heavy Gauge Gooseneck



Lamp: Incandescent Max Wattage: 1/100A 	Name		Date		Gooseneck #423/20-1962 Special						
	Drawn	CB	03/2021								
	Checked				20" Dia 28" H 29" Ext						
	ENG Appr.										
Construction: Aluminum	MFR Appr.			Size	Drawing No.	Rev	Revisions				
Unless Otherwise Specified: Dimensions in Inches	QA			A	0001	A	Zone	Rev	Description	Date	Approved
	Weight			Scale	CAD File	Sheet					
						1 of 1					