

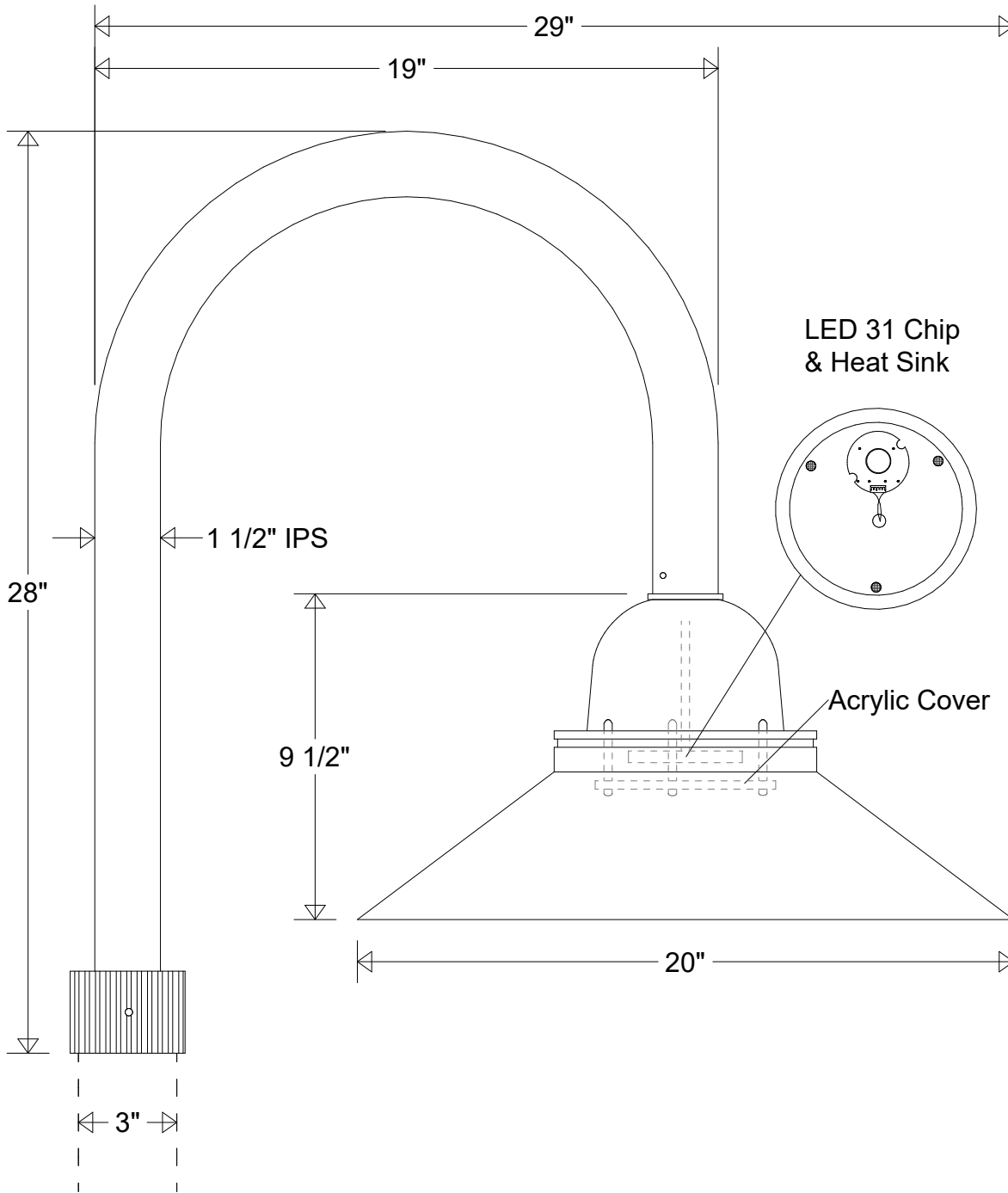


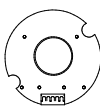
# Primelite Manufacturing Corp

407 S Main St, Freeport, NY 11520

Phone: 516-868-4411 | Fax: 516-868-4609  
 sales@primelite-mfg.com | www.primelite-mfg.com

PART # #423/20 -1962	LAMP Built-In LED	VOLTAGE 120 V	COLOR Powder Coated Paint
JOB NAME			TYPE Heavy Gauge Gooseneck



<b>Lamp: LED 31 Chip</b> 3,782 Lumens   70 MH Equivalent 	<b>Name</b> <b>Date</b> Drawn    CB    03/2021			<b>Gooseneck #423/20-1962 LED 31 Special</b> 20" Dia   28" H   29" Ext						
	<b>Checked</b> ENG Appr.									
	<b>MFR Appr.</b> QA			<b>Size</b> <b>A</b>	<b>Drawing No.</b> <b>0001</b>	<b>Rev</b> <b>A</b>		<b>Revisions</b>		
	<b>Weight</b>			<b>Scale</b>	<b>CAD File</b>	<b>Sheet</b> <b>1 of 1</b>	<b>Zone</b>	<b>Rev</b>	<b>Description</b>	<b>Date</b>