

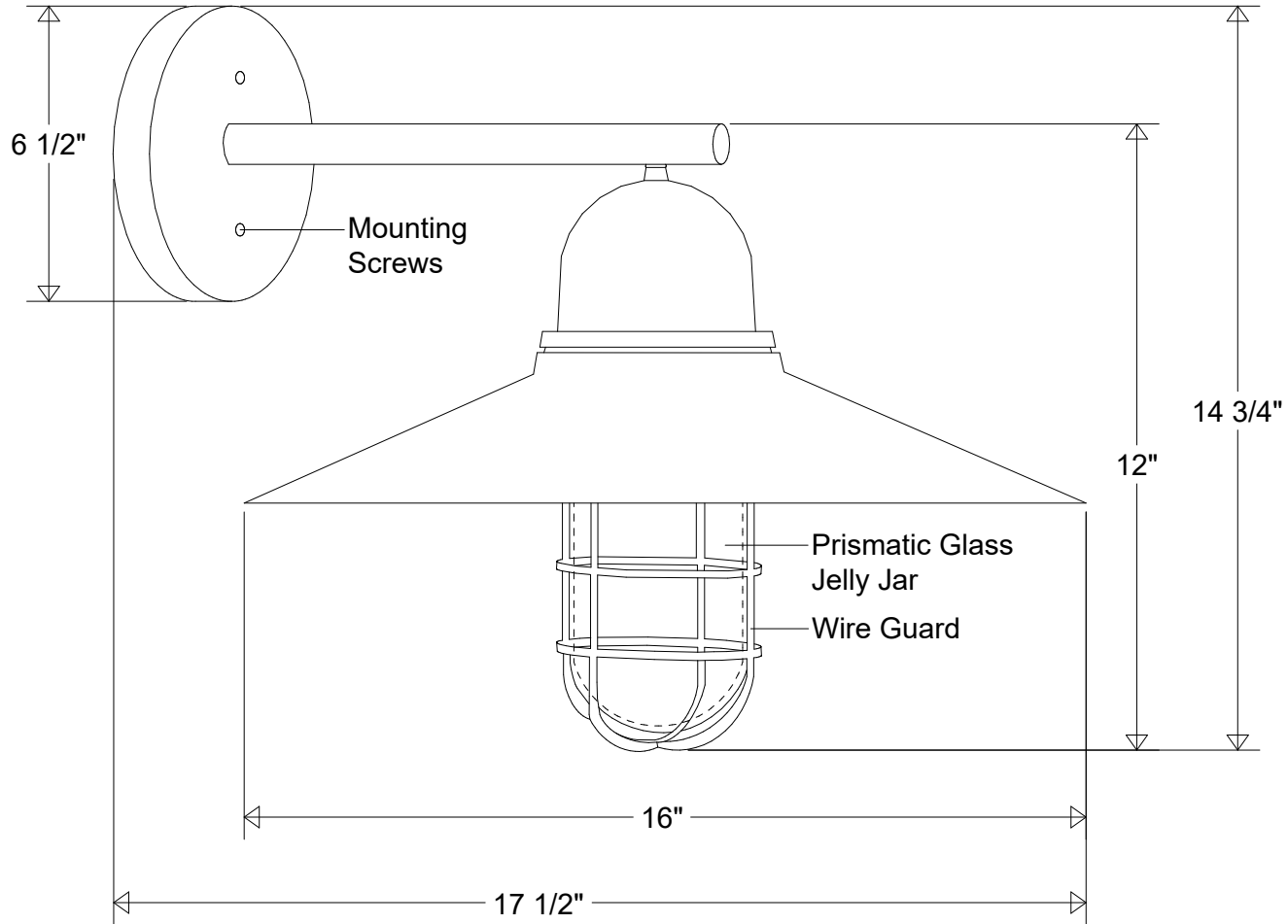



Primelite Manufacturing Corp

407 S Main St, Freeport, NY 11520

Phone: 516-868-4411 | Fax: 516-868-4609
 sales@primelite-mfg.com | www.primelite-mfg.com

PART # #423/16-4WG-613E	LAMP Incandescent	VOLTAGE 120 V	COLOR Powder Coated Paint
JOB NAME			TYPE Wall Lantern



Lamp: Incandescent Max Wattage: 1/100A 	Name	Date	Wall Lantern #423/16-4WG-613E 16" Dia 17 1/2" Ext 14 3/4" H Prismatic Glass Jelly Jar	
	Drawn	CB		7/2020
	Checked			
	ENG Appr.			
MFR Appr.			Size Drawing No. Rev A 0001 A	
Construction: Aluminum Glass	QA			
Unless Otherwise Specified: Dimensions in Inches	Weight	Scale	CAD File Sheet 1 of 1	

Revisions				
Zone	Rev	Description	Date	Approved