

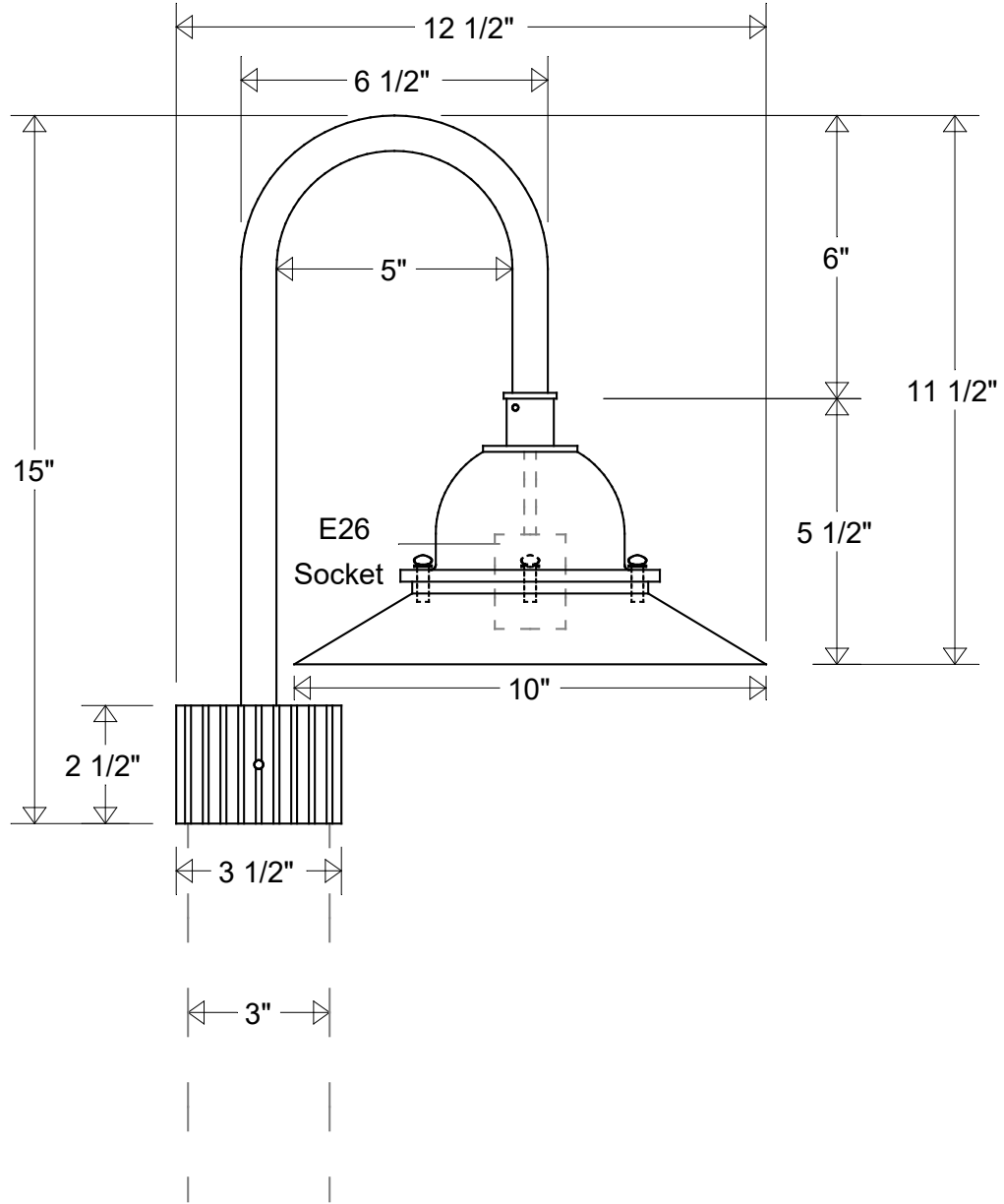


Primelite Manufacturing Corp

407 S Main St, Freeport, NY 11520

Phone: 516-868-4411 | Fax: 516-868-4609
 sales@primelite-mfg.com | www.primelite-mfg.com

| | | | |
|--|---------------------------|-------------------------|-------------------------------------|
| PART # #423/10-1873 Special | LAMP E26 Socket | VOLTAGE 120 V | COLOR Powder Coated Paint |
| JOB NAME | | | TYPE Post Light |



Lamp: E26 Socket
 Max Wattage: 1/100 W



| | |
|---------------|-------------|
| Name | Date |
| Drawn CB | 08/2021 |
| Checked | |
| ENG Appr. | |
| MFR Appr. | |
| QA | |
| Weight | |

Post Light #423/10-1873 Special

10" Dia | 15" H | 12 1/2" Ext
 Fits 3" OD Post, Sold Separately

Size **A** Drawing No. **0001** Rev **A**

Construction: Aluminum

Unless Otherwise Specified:
 Dimensions in Inches

Scale CAD File Sheet **1 of 1**

| Revisions | | | | |
|-----------|-----|-------------|------|----------|
| Zone | Rev | Description | Date | Approved |
| | | | | |
| | | | | |
| | | | | |