



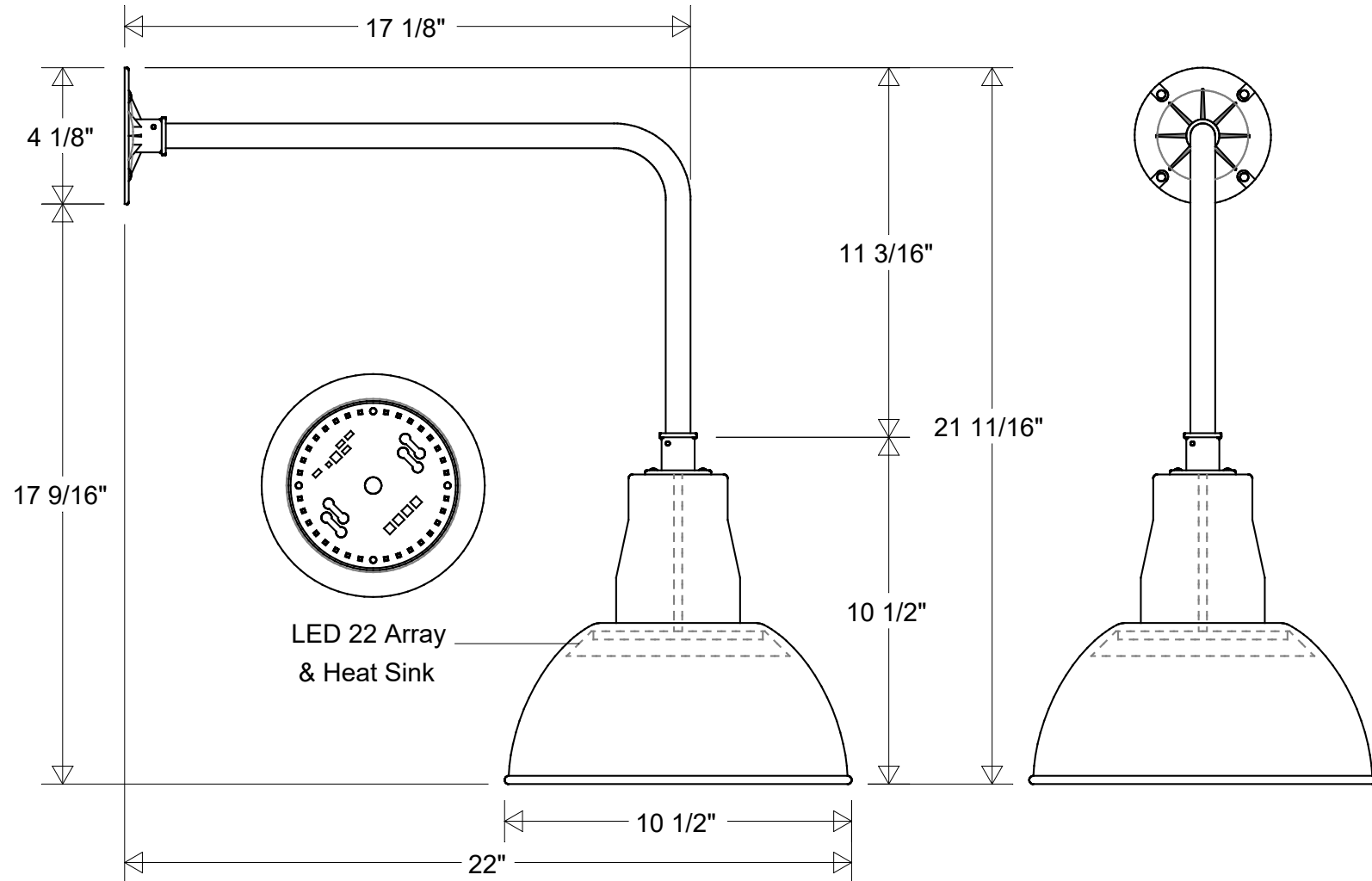
Primelite Manufacturing Corp

407 S Main St, Freeport, NY 11520

Phone: 516-868-4411 | Fax: 516-868-4609

sales@primelite-mfg.com | www.primelite-mfg.com

PART # #41/10-870 LED 22 22" OAE	LAMP Built-In LED	VOLTAGE 120 V	COLOR Powder Coated Paint
JOB NAME			TYPE Gooseneck



Lamp: LED 22 Array
100 W Inc Equivalent
3K = 1850 Lumens
4K = 1900 Lumens



	Initials	Date
Drawn	CB	10/2022
Checked		
ENG Appr.		
MFR Appr.		
QA		

Gooseneck #41/10-870 LED 22 22" OAE

10 1/2" Dia | 22" Ext | 21 11/16" H

11 3/16" Drop | 17 9/16" Below Box

Size	Drawing No.	Rev
A	0001	A

Revisions				
Zone	Rev	Description	Date	Appr

Construction:
Aluminum

Weight:

Scale **CAD File** **Sheet**
1 of 1